



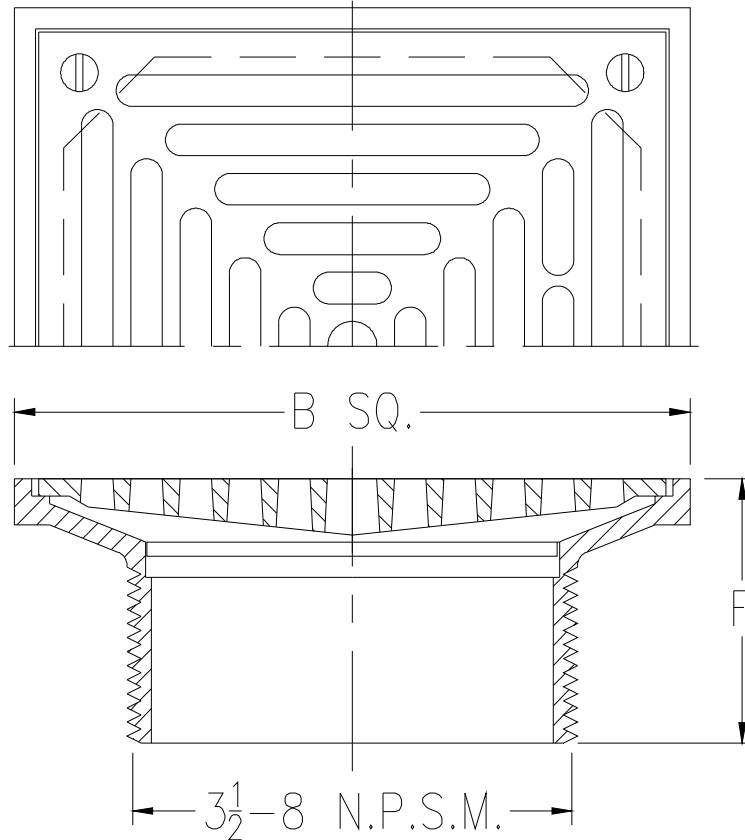
ZS400SS

SQUARE "TYPE SS" STRAINER

SPECIFICATION SHEET

TAG _____

Dimensional Data (inches and [mm]) are Subject to Manufacturing Tolerances and Change Without Notice



| Strainer Designation | Dimension in Inches | | Approx. Wt. Lbs. [kg] | Open Area Sq. In. [cm ²] |
|----------------------|---------------------|------------|-----------------------|--------------------------------------|
| | Size B | Height F | | |
| -5SS | 5 X 5 [127 X 127] | 2 [51] | 2-1/2 [1] | 8-1/2 [55] |
| -6SS | 6 X 6 [152 X 152] | 2-1/4 [57] | 3-1/2 [2] | 13 [84] |
| -8SS | 8 X 8 [203 X 203] | | 6-1/2 [3] | 24-1/2 [158] |

ENGINEERING SPECIFICATION: ZURN ZS400SS

"TYPE SS" square adjustable strainer top with heel-proof medium-duty grate.

OPTIONS (Check/specify appropriate options)

PREFIXES

- ___ ZS Type 304 (CF8) Stainless Steel Top*
- ___ ZM Type 316 (CF8M) Stainless Steel Top
- ___ ZL Type 316 (CF3M) Stainless Steel Top

SUFFIXES

- ___ -GS Grid Strainer (For 6SS, Foot Traffic Light-Duty Only)
- ___ -VP Vandal-Proof Secured Top
- ___ -Y Stainless Steel Sediment Bucket

*REGULARLY FURNISHED UNLESS OTHERWISE SPECIFIED

| | | |
|----------------|---------------------|-----------------|
| REV. E | DATE: 2/11/11 | C.N. NO. 120858 |
| DWG. NO. 67225 | PRODUCT NO. ZS400SS | |