

Aquia® IV Close Coupled Toilet, 1.28 & 0.8 GPF

FEATURES

- DYNAMAX™ TORNADO FLUSH® utilizes 360° cleaning power to reach every part of the bowl
- Ultra high-efficiency dual flush 1.28 & 0.8 GPF (4.8 & 3.0 LPF)
- CEFIONTECT® ceramic glaze prevents debris and mold from sticking to ceramic surfaces
- Design of the bowl reduces water flow resistance resulting in a quieter flushing sound
- Completely skirted design for a sleek and understated look that's easier to clean
- Elongated front bowl and tank set, less toilet seat
- Universal Height
- Chrome push-button
- 12" Rough-in

MODELS

- CST446CEMFG (#01)
With CEFIONTECT ceramic glaze

COMPONENTS

- CT446CUFG
Elongated bowl with CEFIONTECT
- ST446EM
Tank and cover only

Optional Components

- SS124
SoftClose® Seat
- SS234
Slim Elongated SoftClose Seat
- TSU08W.10
10" Unifit Rough-In
- TSU08W.14
14" Unifit Rough-In
- 9AU321-A
WASHLET® adapter
(Required for WASHLET installation)
- THU735#01-A
Push Button Assembly - Cotton
- THU735#PN-A
Push Button Assembly - Polished Nickel
- THU735#BN-A
Push Button Assembly - Brushed Nickel

COLORS/FINISHES

- #01 Cotton



-  DYNAMAX TORNADO FLUSH
-  Skirted Design
-  CEFIONTECT
-  Universal Height

PRODUCT SPECIFICATION

The two-piece, ultra high-efficiency, DYNAMAX TORNADO FLUSH toilet shall be dual flush 1.28 GPF/0.8 GPF. Toilet shall be coated with CEFIONTECT, elongated front bowl, high profile tank, universal height, complete skirted bowl and chrome push-button. Toilet shall be TOTO Model CST446CEMFG.

CODES/STANDARDS

- Meets and exceeds ASME A112.19.2/CSA B45.1, ASME A112.19.14
- Certifications: IAPMO(cUPC®), EPA WaterSense, State of Massachusetts, and others
- Code Compliance: UPC, IPC, NSPC, NPC Canada, and others
- Legislative Compliance: California Green Building Code, City of Los Angeles Water Efficiency Ordinance, and others
- Complies with CA Prop 65 warning requirements



CST446CEMFG

Aquia® IV Close Coupled Toilet, 1.28 & 0.8 GPF

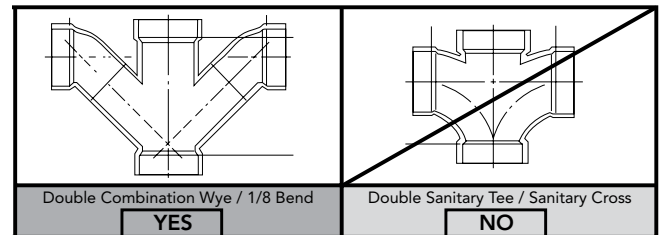
SPECIFICATIONS

Water Use	1.28 & 0.8 GPF (4.8 & 3.0 LPF)
Flush System	DYNAMAX™ TORNADO FLUSH®
Min. Water Pressure	8 psi (Flowing)
Water Surface	5-5/8" x 4-1/8"
Trap Diameter	2-1/2"
Rough-in	12" (10" & 14" Optional)
Trap Seal	2-1/8"
Warranty	One Year Limited Warranty
Material	Vitreous China
Shipping Weight	CT446CUFG 85 lbs ST446EM 29 lbs
Shipping Dimensions	CT446CUFG 30-3/4" L x 17-3/8" W x 20-1/2" H ST446EM 17-1/4" L x 7-7/8" W x 17-1/2" H

INSTALLATION NOTES

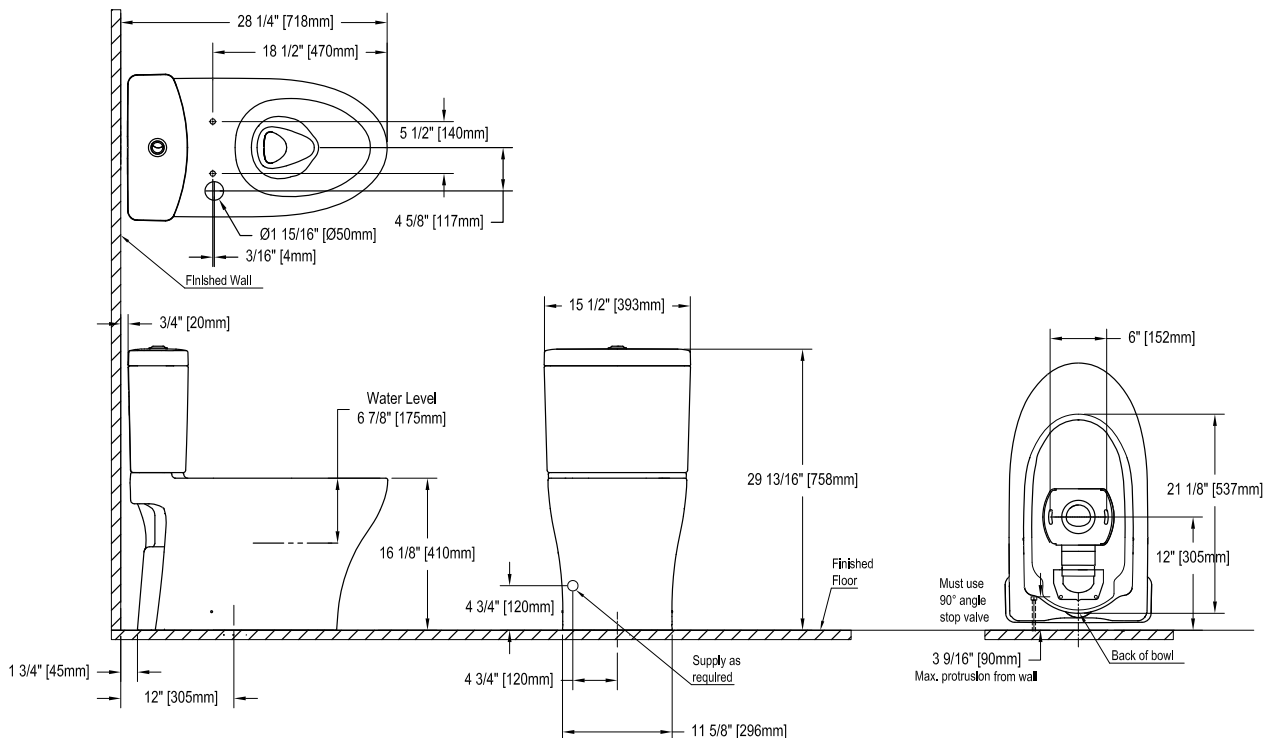
Back-to-Back Toilet Installations:

TOTO recommends the use of a nationally listed, double sanitary tee-wye only, in vertical waste stacks, in accordance with the stipulations noted in the majority of nationally recognized plumbing codes.



To maintain adequate wall gap between the back of the tank and wall, mount the floor flange at a nominal 12" rough-in distance.

DIMENSIONS



TOTO®

These dimensions and specifications are subject to change without notice