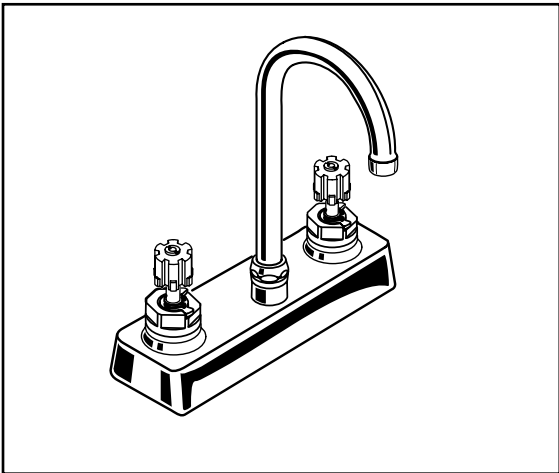


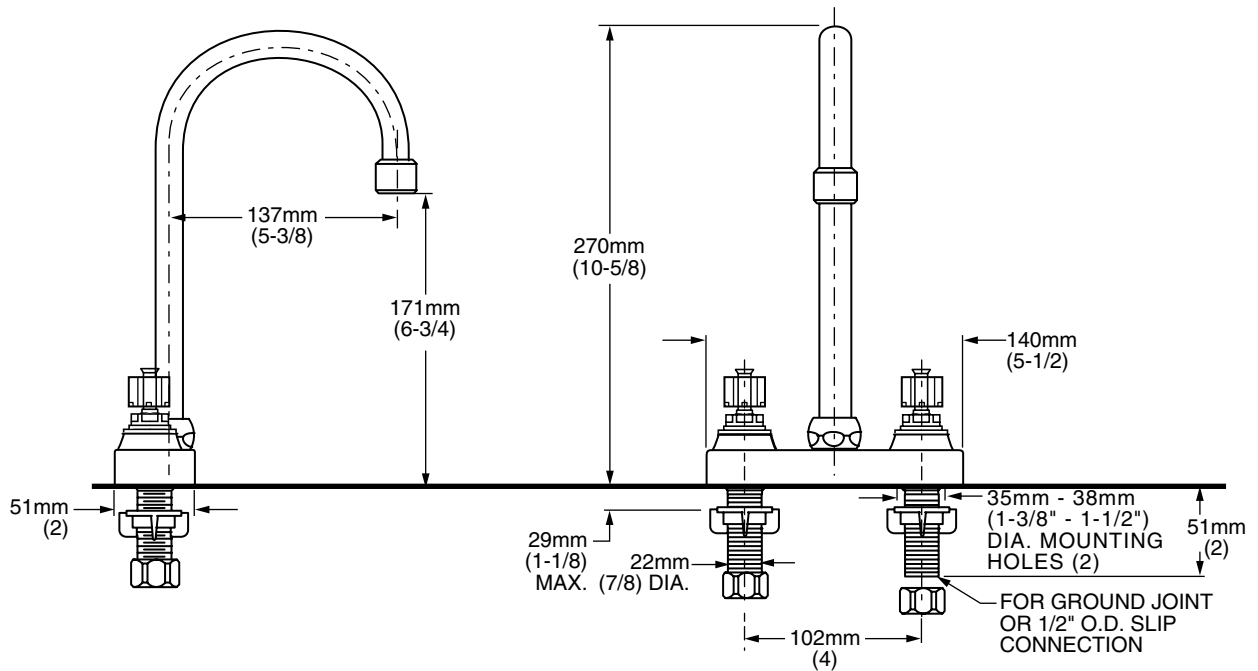
HERITAGE/AMARILIS
TWO-HANDLE CENTERSET BAR SINK FAUCET
WITH BRASS GOOSENECK SPOUT



MODEL NUMBER:

- 7490.000 Centerset Bar Sink Faucet**
 Gooseneck swivel spout. Less handles.

Handles must be ordered separately.



GENERAL DESCRIPTION:

Durable brass construction. Amarilis 1/4 turn washerless ceramic disc valve cartridges - reversible for use with either lever or round handles. One-half inch male inlet shanks with brass coupling nuts. Brass gooseneck swivel spout. 2.2gpm/8.3L/min. maximum flow rate.

PRODUCT FEATURES:

- Ceramic Disc Valve Cartridges:** Assures a lifetime of drip-free performance.
- Solid Brass Construction:** Durable. Ideal for prolonged contact with water.
- Low Lead:** Meets NSF Standard 61/Section 9 & Prop 65 lead requirements.
- Wide Selection of Handle Styles:** Full range of interchangeable handle styles.

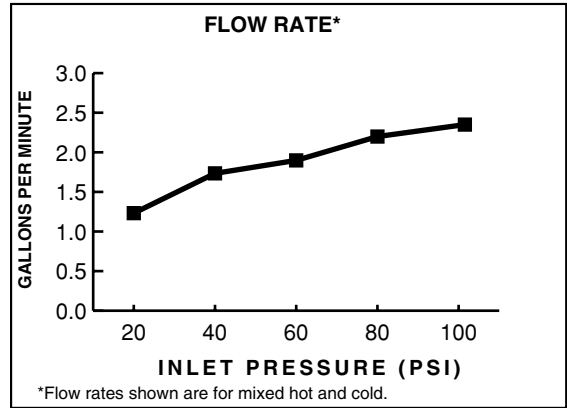
SUGGESTED SPECIFICATION:

Centerset bar sink faucet shall be cast brass construction with all brass coupling nuts. Shall also feature 1/4 turn washerless ceramic disc valve cartridges that are reversible for use with round or lever handles. Fitting shall be American Standard Model # 7490.000.____ and handle kit # 0000.____.____.

CODES AND STANDARDS

These products meet or exceed the following codes and standards:

- ASME A112.18.1**
- CSA B 125**
- NSF 61/Section 9**



| Product Number | Description | Finish |
|----------------|--------------------------------|-----------------|
| | | Polished Chrome |
| | | 002 |
| 7490.000 | Bar Sink faucet. Less handles. | |

Handles must be ordered separately.

To order **Less Handles** - Specify: 4 digit style number followed by three zeros and 3 digit finish number. Example 7490.000.002 = Bar Sink faucet in Polished Chrome finish.

The above fittings will accept the following Amaris-Series handles.

| | | | | | | |
|-------------|----------------|-------------|-------------|--------------|--------------|------------|
| | | | | | | |
| Metal Lever | Perfume Bottle | Metal Cross | Metal Lever | Wrist Blade | Lever | Lexington |
| 442 | 432 | 552 | 542 | 372H 372V | 342H 342V | 902 912 |
| | | | | | | |

Meets the American Disabilities Act Guidelines and **ANSI A117.1** Requirements for the physically challenged.