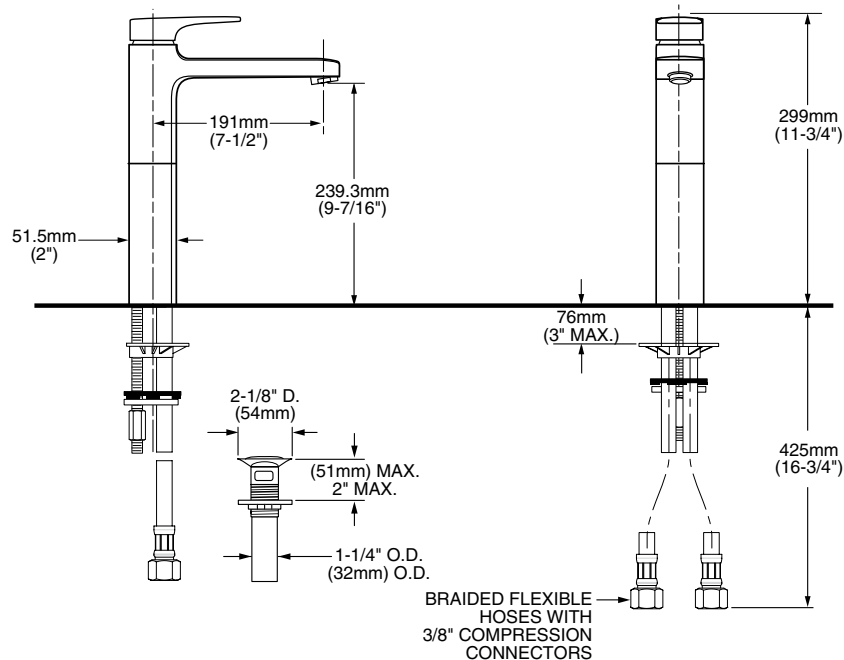




**MODEL NUMBER:**

- ❑ **2506.152 Single Control Lavatory Grid Drain.**
- ❑ **2506.151 Single Control Lavatory Less Drain**



**GENERAL DESCRIPTION:**

Cast brass body. Multiport washerless ceramic disc valve cartridge provides steady water flow even in low pressure situations. Hot limit safety stop. Braided flexible supply hoses with 3/8" compression connectors. 1.5 gpm/5.7L/min. maximum flow rate.

**PRODUCT FEATURES:**

**Brass Construction:** Durable. Easy to clean. Ideal for prolonged contact with water.

**Multiport Ceramic Disc Valve Cartridge:** Assures a lifetime of smooth handle operation, drip-free performance and steady water flow.

**Adjustable Hot Limit Safety Stop:** Limits the amount of hot water allowed to mix with cold. Reduces the risk of accidental scalding.

**Low Lead:** Meets NSF Standard 61/Section 9 & Prop 65 lead requirements.

**Choice of Finishes:** Available in Polished Chrome or Stainless Steel (PVD).

**SUGGESTED SPECIFICATION:**

Single control lavatory faucet shall feature a cast brass body and metal lever handle. Fitting shall be equipped with flexible supplies with 3/8" compression connectors. Shall also feature multiport washerless ceramic disc valve cartridge with hot limit safety stop. Fitting shall be American Standard Model # 2506.\_\_\_\_.