



# ANGLE FITTINGS

**5340 - 5350**

## 4-Hole Open Angle Connector

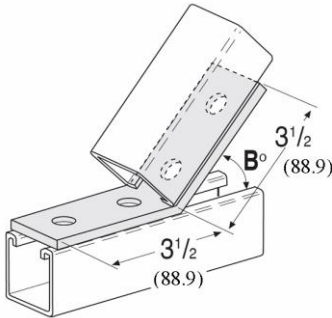


Fig. Number	Angle B°	Std. Package	Wt. Each	
			Lbs.	kg
5340	7 1/2	25	.78	(.35)
5341	15	25	.78	(.35)
5342	22 1/2	25	.78	(.35)
5343	30	25	.78	(.35)
5344	37 1/2	25	.78	(.35)
5345	45	25	.78	(.35)
5346	52 1/2	25	.78	(.35)
5347	60	25	.78	(.35)
5348	67 1/2	25	.78	(.35)
5349	75	25	.78	(.35)
5350	82 1/2	25	.78	(.35)

Available in stainless steel. To order, specify 316 and add suffix SS to fig. number. Price on request.

**MATERIAL:** 1/4 X 1 5/8 (6.35 X 41.28)

**FINISH:** Electro-galvanized

**ORDERING:** Specify figure number and angle "B".

**HOLE DIM:** 9/16 (14.29) dia. • 13/16 (20.64) from end • 1 7/8 (47.63) on centers

Unless otherwise specified, all dimensions on drawings and in charts are in inches and dimensions shown in parentheses are in millimeters.