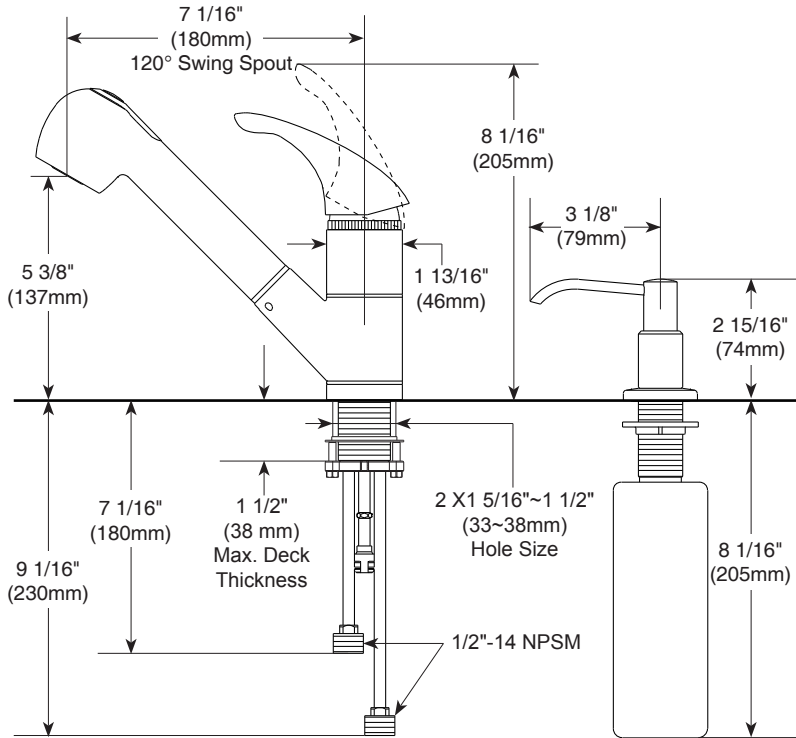
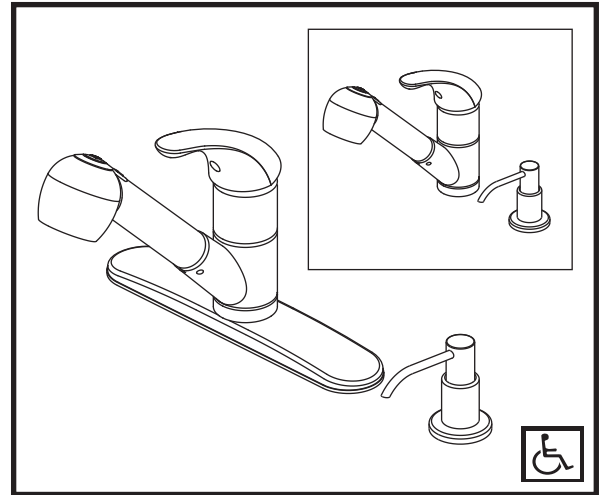
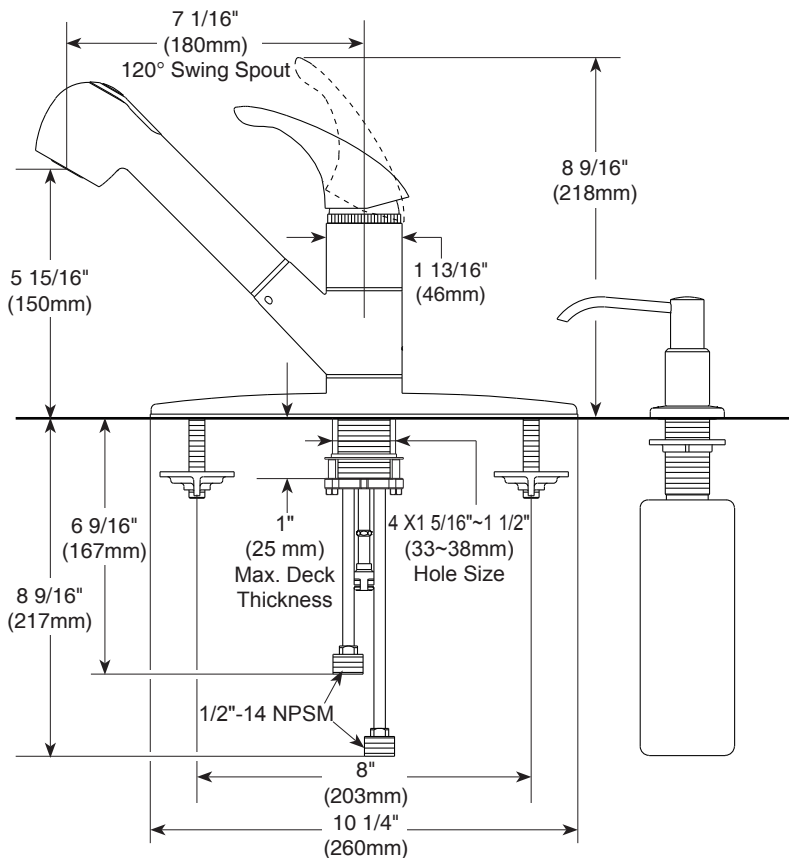


Mounting without escutcheon plate:



Mounting with escutcheon plate:



KITCHEN FAUCET

- Single handle, lever, pull-out kitchen faucet, 2-function wand.

STANDARD SPECIFICATIONS

- Single handle kitchen faucet for exposed mountings on 2 and 4 hole sinks with 8" centers.
- Standard 7 1/16" (180 mm) long spout swings 120°.
- Replaceable rotating ball valve with replaceable non-metallic seats.
- 1/2" - 14 NPSM threaded male inlet adapters.

WARRANTY

- Lifetime Faucet and Finish Limited Warranty to the Original consumer purchaser to be free from defects in material and workmanship.
- 5 Year Limited Warranty for usage in all Industrial, Commercial and Business applications.



COMPLIES WITH

- ASME A112.18.1/CSA B125.1

Indicates compliance to ICC/ANSI A117.1

Verified compliant with 0.25% weighted average Pb content regulations.

