



Buy it for looks. Buy it for life.®

# Specifications

## DESCRIPTION

- Metal construction with chrome, antique nickel, oil rubbed bronze, wrought iron, LifeShine® brushed nickel or antique bronze finish
- Installed on 6" (152mm) to 16" (406mm) centers
- 1/2" IPS connections will accept standard ball nose connection for 3/8" tubing
- Diverter valve includes an integral vacuum breaker
- Includes metal pop-up type waste assembly
- Includes hot and cold indicators

## OPERATION

- Lever style handles, 180° rotation
- Hot side counterclockwise to open (clockwise to close)
- Cold side clockwise to open (counterclockwise to close)
- Water flow is diverted by turning the knob counterclockwise for fill and clockwise for rosetta spray

## CARTRIDGE

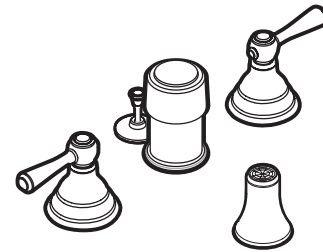
- 94831 diverter cartridge
- 1224 cartridge design for hot and cold valves
- Nonmetallic and stainless steel material

## STANDARDS

- Third party certified to ASME A112.18.1/CSA B-125.1 and all requirements referenced therein

## WARRANTY

- Lifetime limited warranty against leaks, drips and finish defects to the original consumer purchaser
- 5 year warranty if used in commercial installations

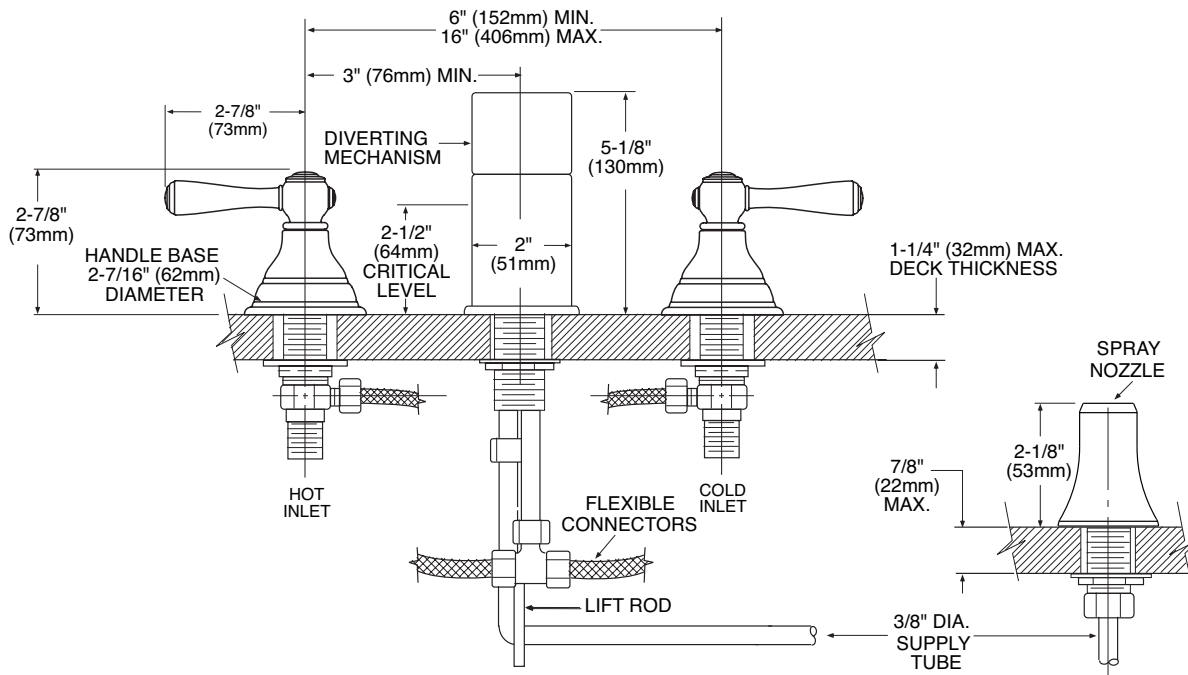


## KINGSLEY™ Two Handle Bidet with Metal Waste Assembly

**Models:** T5210, T5210BN, T5210WR,  
T5210ORB, T5210AN, T5210AZ

**NOTE:** The 9200 valve cannot be used with Non Rim Flush Bidet Fixtures

**NOTE:** Minimum Diameter Holes for Installation  
Diverter Valve - 1" (25mm)  
Handle Valves - 1-1/8" (29mm)  
Spray Nozzle - 5/8" (16mm)  
Lift Rod Escutcheon - 1/2" (13mm)



## CRITICAL DIMENSIONS

(DO NOT SCALE)