

ELKAY®

SPECIFICATIONS

Avado® Single Handle Pre-Rinse Kitchen Faucet Model LKAV4061

FEATURES

- Removable ceramic disc cartridge
- One 1 3/8" (35mm) diameter faucet hole required
- 1.5GPM flow regulator installed
 - Optional 2.2GPM flow regulator also included with the faucet
- Braided stainless steel supply lines
- 3/8" female compression hose connections with 1/2" male IPS thread adaptors
- 360° spout rotation
- Max countertop thickness: 2.5" (63mm)
- Stainless steel coil hand spray hose with spring spout
- 3-function hand spray (Aerated, Spray, Pause)
- Hand spray operation:
 - Press button for spray, press again to revert to stream, hold for pause
- Easy-Clean rubberized spray face
- Solid brass waterway construction
- Forward-Only handles = No backsplash interference
- Available finishes:
 - Chrome LKAV4061CR
 - Lustrous Steel LKAV4061LS
- Ship weight: 5.5 lbs (2.5 kg)

WARRANTY

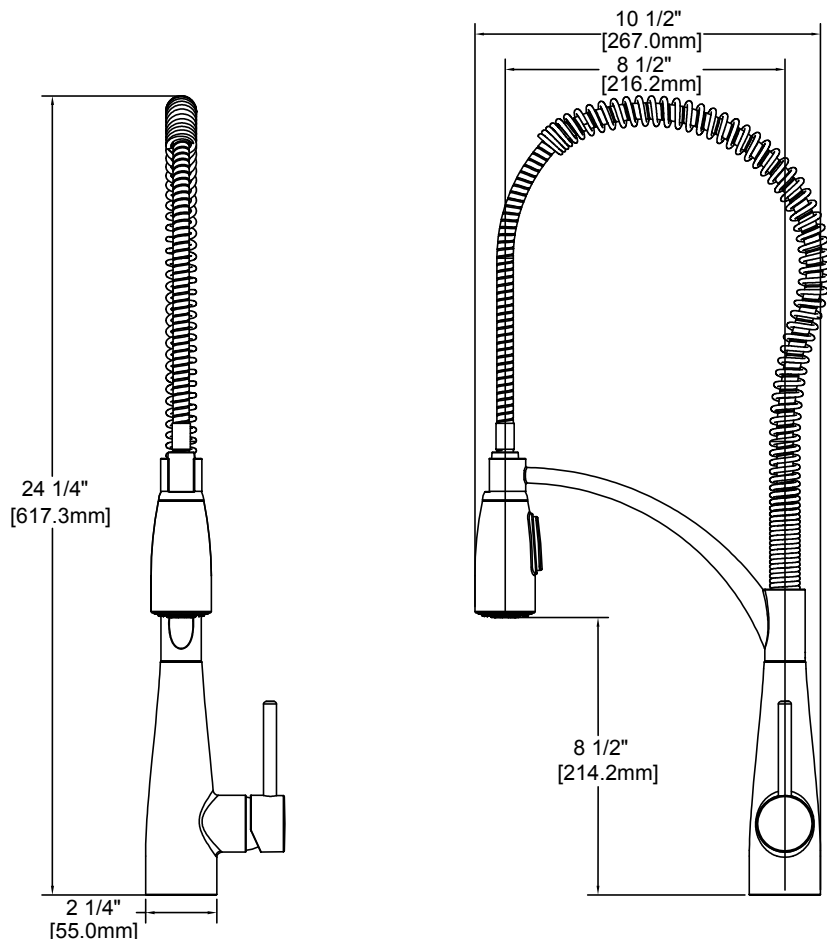
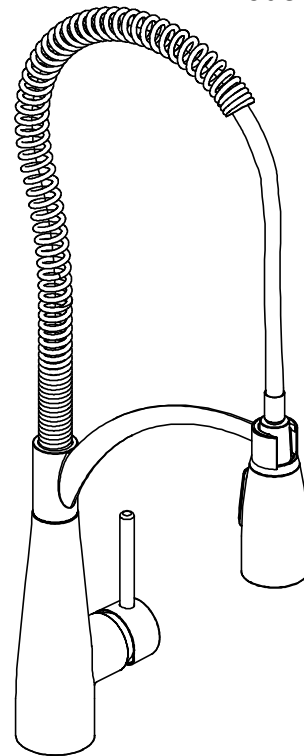
- Limited Lifetime

ACCESSORIES (Sold Separately):

- LK105 - Air gap
- LK133 - Optional 3-Hole escutcheon plate
- LK325 - Soap dispenser

COMPLIES WITH:

- ADA
- cUPC
- ANSI/NSF61
- CA AB1953
- ASME A112.18.1/CSA B125.1



Elkay

elkayusa.com

2222 Camden Court, Oak Brook, IL 60523

1-630-574-8484 Fax: 1-630-574-4509

©2011 Elkay

LKAV4061_A (7/11)