

Features

- Single control actuation.
- Part of the Purist® collection.
- Includes the K-10257 Shift Ellipse handshower and 60" hose.

Required Accessories

K-97339 Multiproduct Mounting-block



Codes/Standards

ASME A112.18.1/CSA B125.1
DOE - Energy Policy Act 1992




KOHLER® Faucet Lifetime Limited Warranty

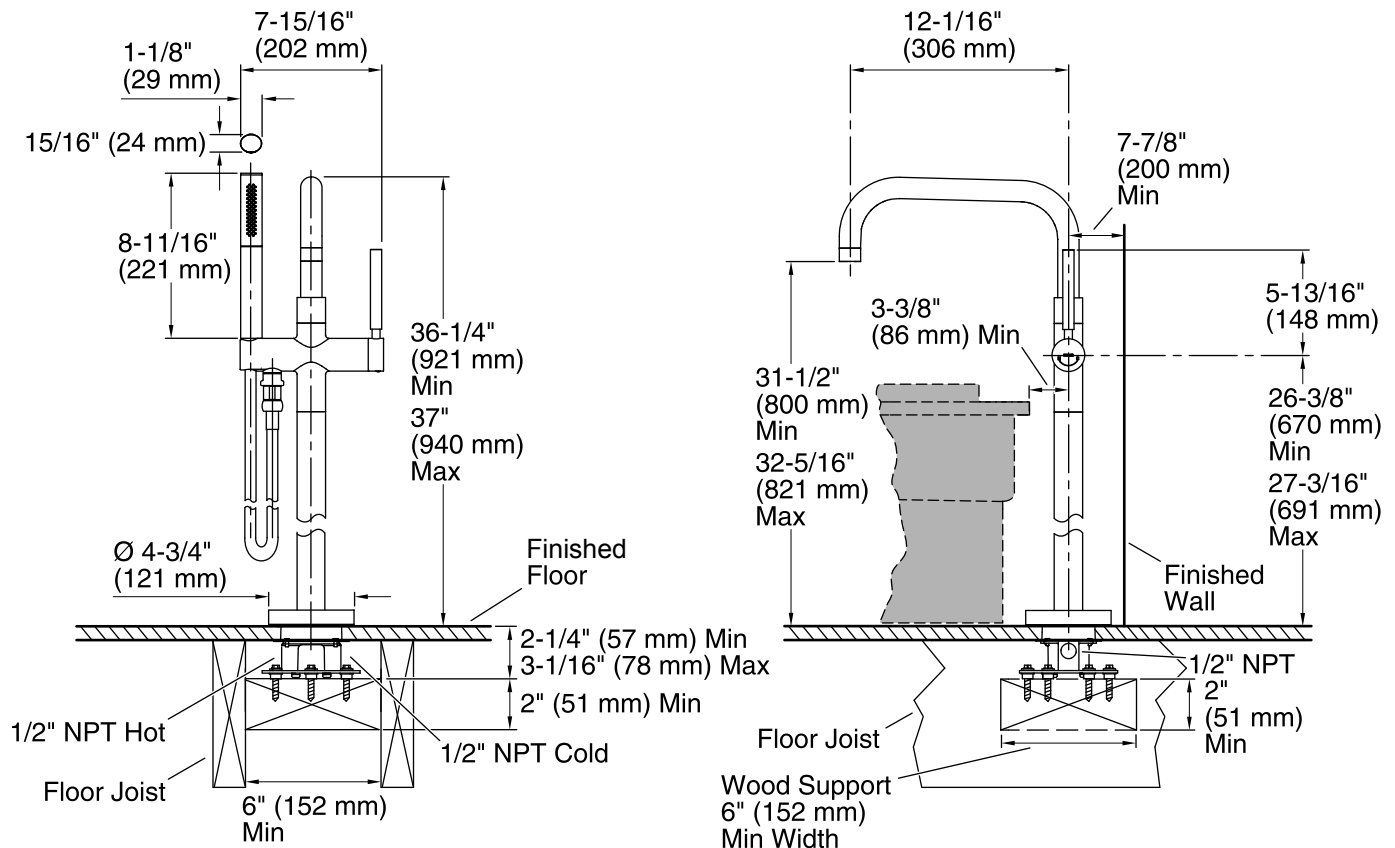
See website for detailed warranty information.

Available Color/Finishes

Color tiles intended for reference only.

Color	Code	Description
-------	------	-------------

- | | | |
|--|----|--------------------------|
|  | CP | Polished Chrome |
|  | SN | Vibrant® Polished Nickel |
|  | BN | Vibrant® Brushed Nickel |



Technical Information

All product dimensions are nominal.

Spout reach: 12-1/16" (306 mm)

Faucet:

Flow rate: 6 gal/min (22.7 l/min)

Pressure: 45 psi (3.1 bar)

Handshower:

Rated maximum flow: 2 gal/min (7.6 l/min)

Pressure: 80 psi (5.5 bar)

Notes

Install this product according to the installation guide.

Adequate floor support is required. The wood support must be a minimum of 2" (51 mm) thick by 6" (152 mm) wide. 2x6 lumber is NOT adequate for this application.

Concrete can be used as the floor support.

Requires 3/16" masonry drill bit and six 1/4" x 1-3/4" concrete screws, not included.