



# Kingston™ Ultra

## Top spud flushometer bowl

### K-84325

#### Features

- Elongated bowl.
- Siphon jet.
- 1.1 gpf (4.2 lpf), 1.28 (4.8 lpf) or 1.6 gpf (6 lpf) depending on flushometer specified.
- 11" (279 mm) x 8-1/4" (210 mm) water surface.
- 1-1/2" (38 mm) top spud.

#### Material

- Vitreous china.

#### Technology

- Improved flush for toilet seat cover removal.
- Re-engineered for strong flush performance in buildings with lower water pressure or flow.
- New cast-on putty plate resists breakage.
- New design eliminates gas leaks, splashing and paper shredding.

#### Installation

- Wall-mount.
- This product replaces K-4325.

#### Recommended Products/Accessories

K-23726 Drain treatment



**ADA** **CSA B651** **OBC**

#### Codes/Standards

ASME A112.19.2/CSA B45.1  
 DOE - Energy Policy Act 1992  
 EPA WaterSense®  
 California Energy Commission (CEC)  
 ADA  
 ICC/ANSI A117.1  
 CSA B651  
 OBC

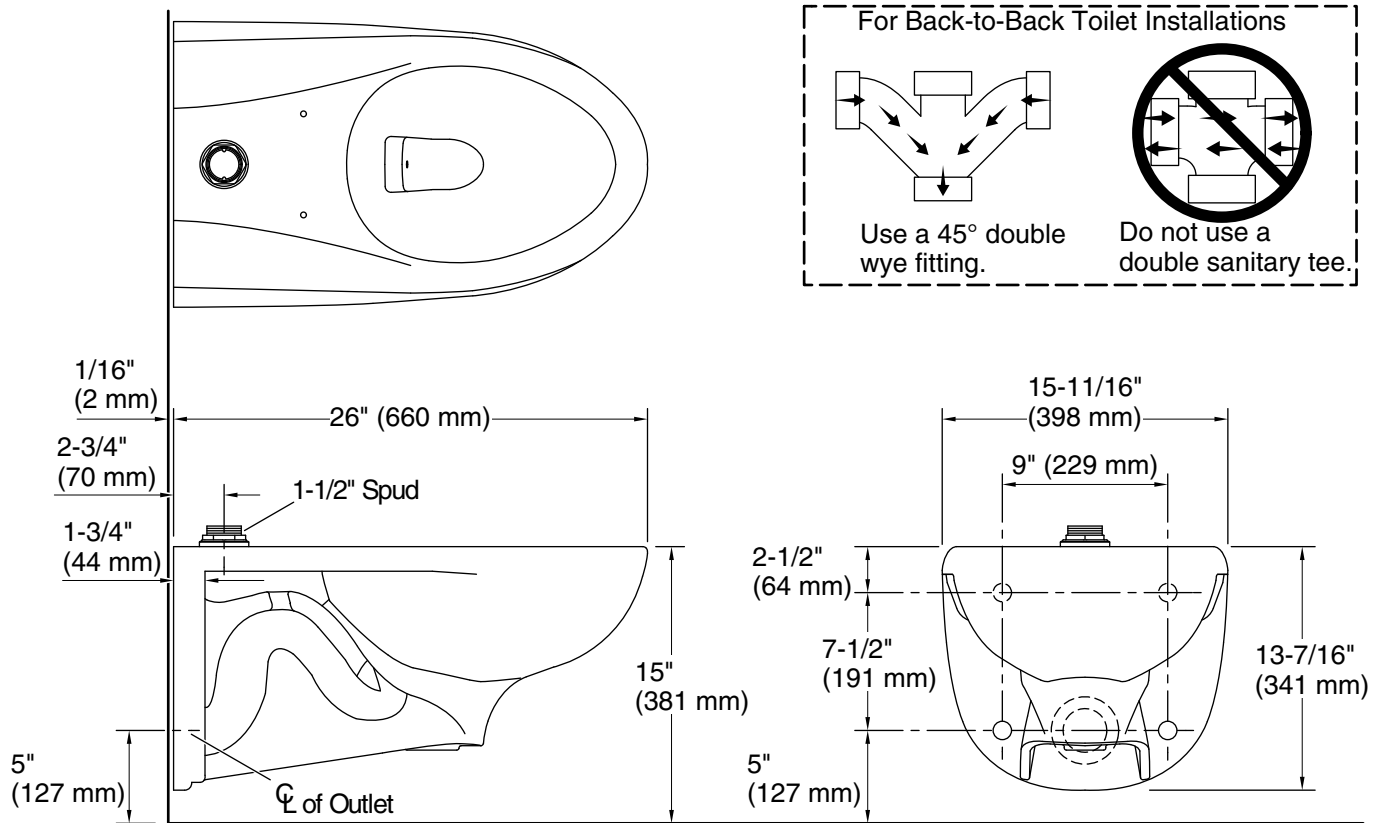
#### KOHLER® One-Year Limited Warranty

See website for detailed warranty information.

#### Available Colors/Finishes

*Color tiles intended for reference only.*

| Color | Code | Description  |
|-------|------|--------------|
|       | 0    | White        |
|       | 96   | Biscuit      |
|       | 47   | Almond       |
|       | 7    | Black Black™ |



### Technical Information

All product dimensions are nominal.

|                       |                                |
|-----------------------|--------------------------------|
| Toilet type:          | Flushometer, Wall-mount        |
| Waste Outlet:         | Wall                           |
| Bowl shape:           | Elongated                      |
| Flush type:           | Flushometer valve siphon       |
| Spud size:            | 1 1/2, Inlet, Top              |
| Trap passageway:      | 2-1/8" (54 mm)                 |
| Water Consumption     |                                |
| Full:                 | 1.6 gpf (6 lpf)                |
| Reduced:              | 1.1 gpf (4.3 lpf)              |
| Water surface size:   | 11" x 8-1/4" (279 mm x 210 mm) |
| Rim to water surface: | 5-13/16" (148 mm)              |
| Seat-mounting holes:  | 5-1/2" (140 mm)                |

### Fixture Supply Requirements

|                       |                    |
|-----------------------|--------------------|
| Min static pressure:  | 35 psi (241.3 kPa) |
| Max static pressure:  | 80 psi (551.6 kPa) |
| Min flowing pressure: | 25 psi (172.4 kPa) |
| Min flow rate:        | 25 gpm (94.6 lpm)  |

### Notes

Install this product according to the installation instructions.

For back-to-back toilet installations: Use only a 45° double wye fitting.

Refer to manufacturer's instructions and local codes for flushometer requirements.

ADA, OBC, CSA B651 compliant when installed to the specific requirements of these regulations.

Plumbing codes may require elongated toilets and elongated, open-front seats in public bathrooms.

Accessibility standards may require controls to be located on the open side of the toilet.