

Features

- High-flow valve ensures optimal water flow performance.
- Quarter-turn ceramic disc valves exceed industry longevity standards, ensuring durable performance for life.
- 25.0 to 30.0 gpm (gallons per minute) flow rate.
- For use with bath- or deck-mount faucets.
- Requires valve trim (sold separately).

Material

- Brass valve bodies.

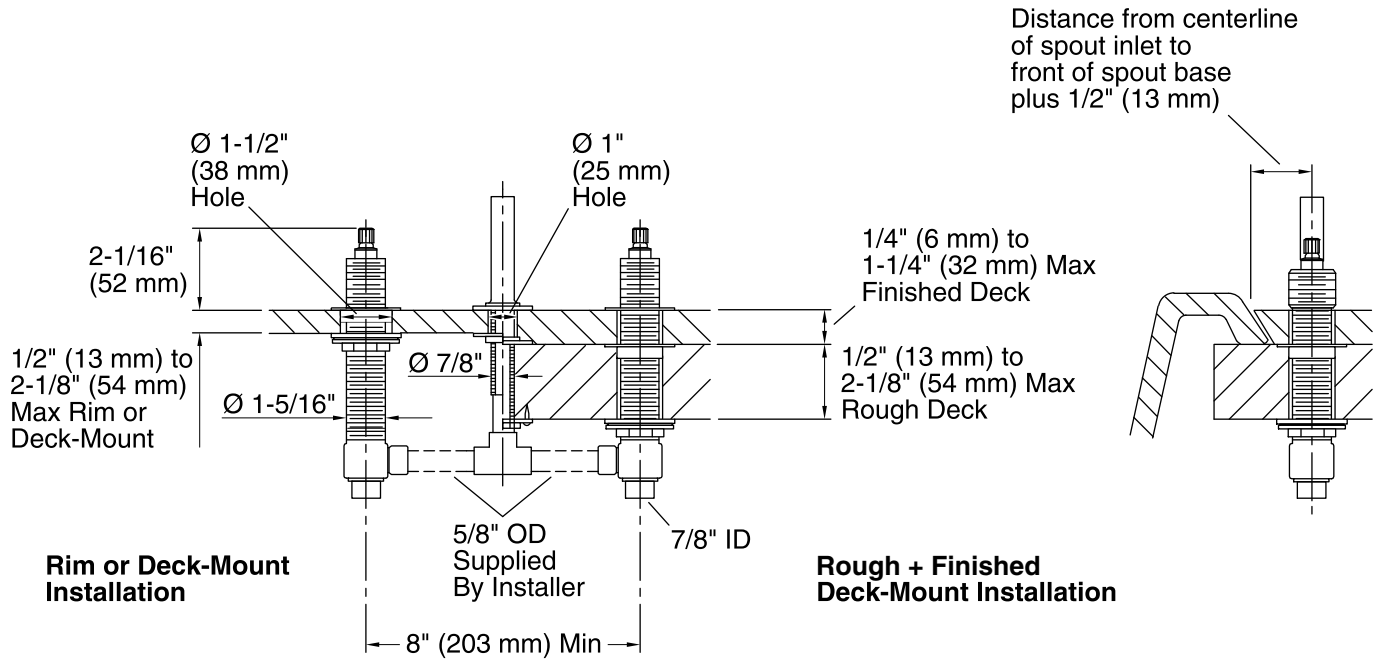


Codes/Standards

ASME A112.18.1/CSA B125.1

KOHLER® Faucet Lifetime Limited Warranty

See website for detailed warranty information.



Technical Information

All product dimensions are nominal.