

### COUNTERTOP BATHROOM SINK K-2196

ADA

CSA B651

OBC

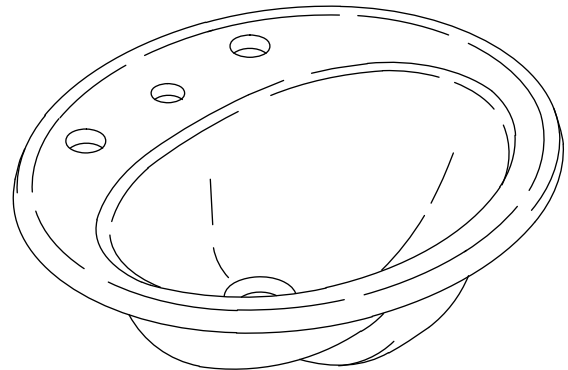
#### Features

- Vitreous china
- Drop-in
- Single-hole
- ADA compliant when installed in a 21" (533 mm) minimum depth countertop
- Optional soap dispenser hole on left (-L) or right (-R)
- With or without overflow
- 20-1/4" (514 mm) x 17-1/2" (445 mm)

#### Codes/Standards Applicable

Specified model meets or exceeds the following:

- ADA
- ICC/ANSI A117.1
- CSA B651
- OBC
- ASME A112.19.2/CSA B45.1



#### Colors/Finishes

- 0: White
- Other: Refer to Price Book for additional colors/finishes

#### Accessories

- CP: Polished Chrome

#### Specified Model

Model	Description	Colors/Finishes	
K-2196-1N	Single-hole drilling; less overflow	<input type="checkbox"/> 0	<input type="checkbox"/> Other _____
K-2196-1K	Single-hole drilling; less overflow; with soap dispenser hole on right	<input type="checkbox"/> 0	<input type="checkbox"/> Other _____
K-2196-1F	Single-hole drilling; less overflow; with soap dispenser hole on left	<input type="checkbox"/> 0	<input type="checkbox"/> Other _____
K-2196-1	Single-hole drilling; with overflow; less soap dispenser hole	<input type="checkbox"/> 0	<input type="checkbox"/> Other _____
K-2196-1L	Single-hole drilling; with overflow; with soap dispenser hole on left	<input type="checkbox"/> 0	<input type="checkbox"/> Other _____
K-2196-1R	Single-hole drilling; with overflow; with soap dispenser hole on right	<input type="checkbox"/> 0	<input type="checkbox"/> Other _____
<b>Recommended Accessories</b>			
K-8998	P-Trap	<input type="checkbox"/> CP	

#### Product Specification

The drop-in bathroom sink shall be made of vitreous china. Bathroom sink shall be 20-1/4" (514 mm) in length, and 17-1/2" (445 mm) in width. Bathroom sink shall have single-hole drilling (-1). Bathroom sink shall be ADA compliant when installed in a 21" (533 mm) minimum depth countertop. Bathroom sink shall feature optional soap dispenser hole (-L, left or -R, right). Bathroom sink shall be Kohler Model K-2196-\_\_\_\_\_-\_\_\_\_\_.

# PENNINGTON®

## Technical Information

Fixture*:	
Basin area	16" (406 mm) x 11" (279 mm)
Water depth	4" (102 mm)
Drain hole	Ø 1-3/4" (44 mm)
*Approximate measurements for comparison only.	
Holes	
Spout	Ø 1-3/8" (35 mm)
Soap dispenser	Ø 1-1/4" (32 mm)
Included components:	
Cut-out template	1002970-7

## Installation Notes

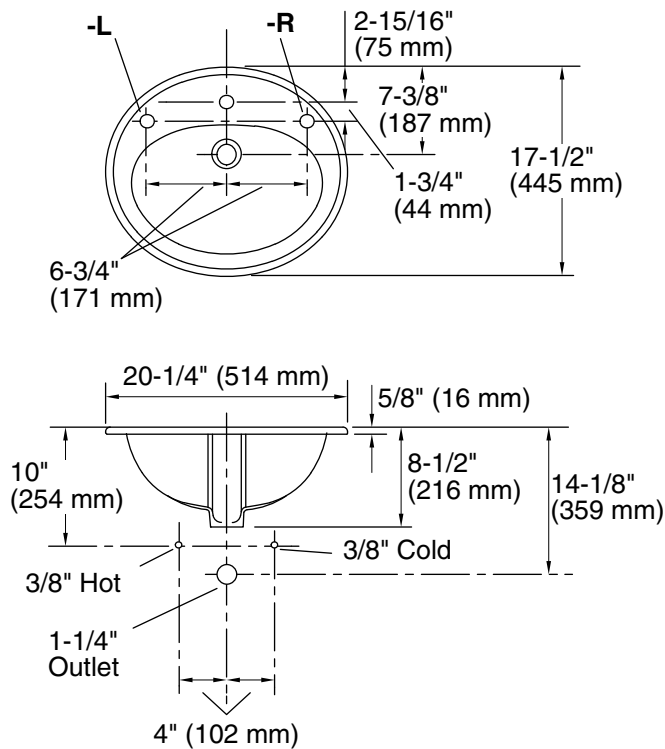
Install this product according to the installation guide.

**NOTICE:** Countertop manufacturer or cutter **must** use the cutout template provided with the product, or a current one provided by Kohler Co. (call 1-800-4KOHLER). Kohler Co. is not responsible for cutout errors when the incorrect cutout template is used.

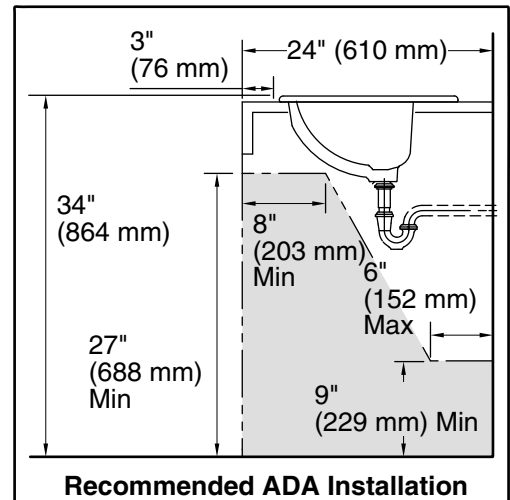
Will comply with **ADA** when installed per Section 606 Lavatories of the Act.

Will comply with **CSA B651** when installed per Clause 4.3.3 of the standard.

Will comply with **OBC** when installed per Clause 3.8.3.11.



**Standard Installation**



**Recommended ADA Installation**

## Product Diagram