

Features

- Fixture-mount design.
- Includes 1.5 V AA batteries.
- Retrofit models require a control stop and vacuum breaker.

Material

- Brass construction.

Technology

- Electronic infrared sensor with WAVE technology for accurate activation.
- Slow-closing piston technology.

Installation

- Intended for toilet installations with 1-1/2" spud coupling connection.



ADA

CSA B651

OBC

Codes/Standards

ASME A112.18.1/CSA B125.1
CSA B64
CSA B125.3
ASSE 1037
ADA
ICC/ANSI A117.1
CSA B651
OBC

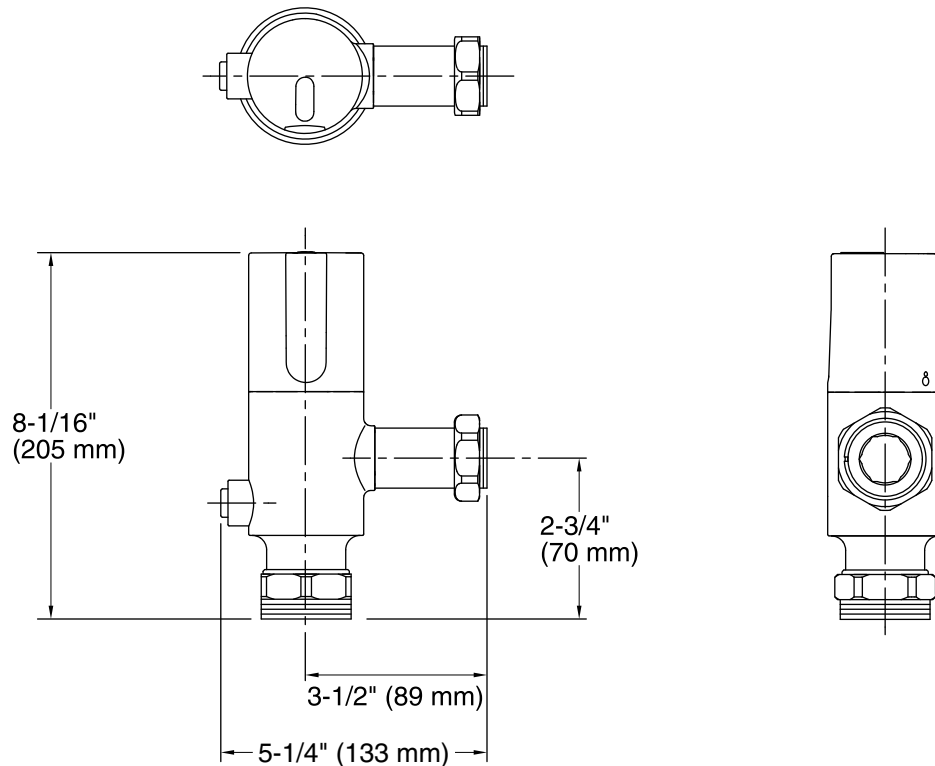
KOHLER® One-Year Limited Warranty

See website for detailed warranty information.

Available Color/Finishes

Color tiles intended for reference only.

Color	Code	Description
	CP	Polished Chrome



Technical Information

All product dimensions are nominal.

Pressure and Supply Requirements

Fixture flow rate min: 25 gpm (94.6 lpm)

Fixture pressure max 80 psi (551.6 kPa)
(static):

Power source: AA 1.5 V, included

Notes

Install this product according to the installation guide.

ADA, OBC, CSA B651 compliant when installed to the specific requirements of these regulations.