

Features

- Diverter switches water between showerhead or handshower, or both on at one time.
- Easily mounts on the end of your showerarm and fits most standard handshower hoses, handshowers, and showerheads.
- Includes flow restrictor that limits water flow to 2.5 gpm (gallons per minute) when one or both showering components are running.

Material

- KOHLER finishes resist corrosion and tarnishing.



For complete listing of available colors, go to kohler.com.

Codes/Standards

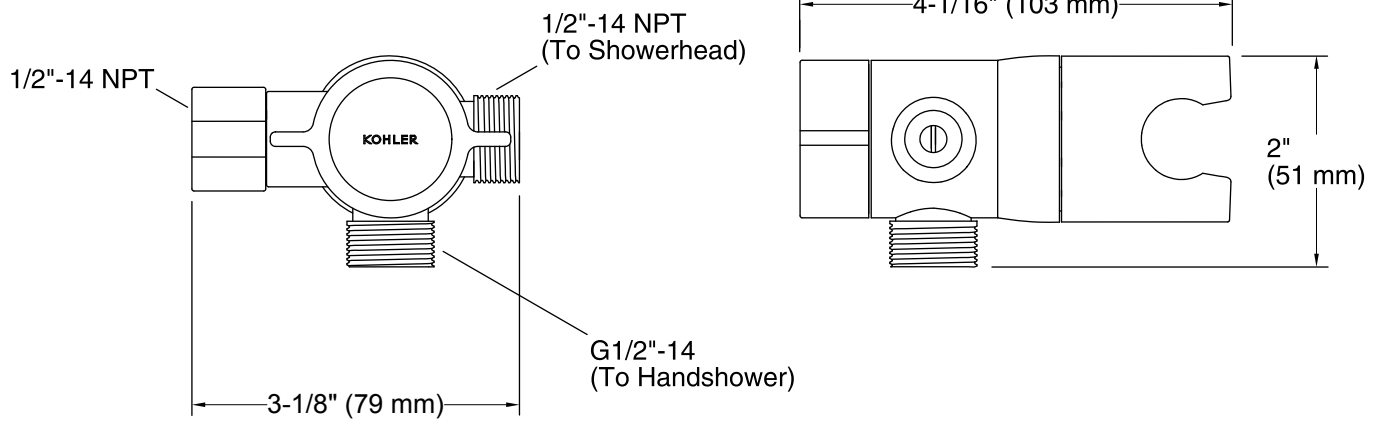
ASME A112.18.1/CSA B125.1

Kohler Faucet Lifetime Limited Warranty

See website for detailed warranty information.

Product Specification

The shower arm diverter shall allow a handshower to be added to the shower. The shower arm diverter shall have a lifetime warranty. Shower arm diverter shall easily mount on the shower arm and have a corrosion resistant finish. The shower arm diverter shall fit most standard handshower hoses, handshowers, and showerheads and include a 2.5 gal/min (9.5 l/min) flow restrictor. Shower arm diverter shall be 4-1/16" (103 mm) in length, 2" (51 mm) in width, and 3-1/8" (79 mm) in height. Shower arm diverter shall be Kohler Model K-98770.



Technical Information

All measurements are nominal.

Pressure: 45 psi (3.1 bar)

Installation Notes

Install this product according to the installation guide.