

### Features

- Vitreous china
- Elongated bowl
- Includes seat, cover and left-hand polished chrome trip lever
- 12" (305 mm) rough-in
- 1.28 gpm (4.8 lpf)
- Skirted trapway

### Technology

- Single-flush gravity uses the force of gravity and a precision-engineered tank, bowl, and trapway to create a siphon during flushing
- This unique flushing system ensures both a strong siphon and a powerful rim wash
- Flush valve's 3:2 ratio harnesses the natural force of gravity and optimizes flush performance

### Installation

- 12" (305 mm) rough-in

### Water Conservation & Rebates

- WaterSense® toilets meet strict EPA flushing guidelines, including using at least 20 percent less water than 1.6 gpf toilets
- Eligible for consumer rebates in some municipalities



### Codes/Standards

ASME A112.19.2/CSA B45.1  
DOE - Energy Policy Act 1992  
EPA WaterSense®

### KOHLER® One-Year Limited Warranty

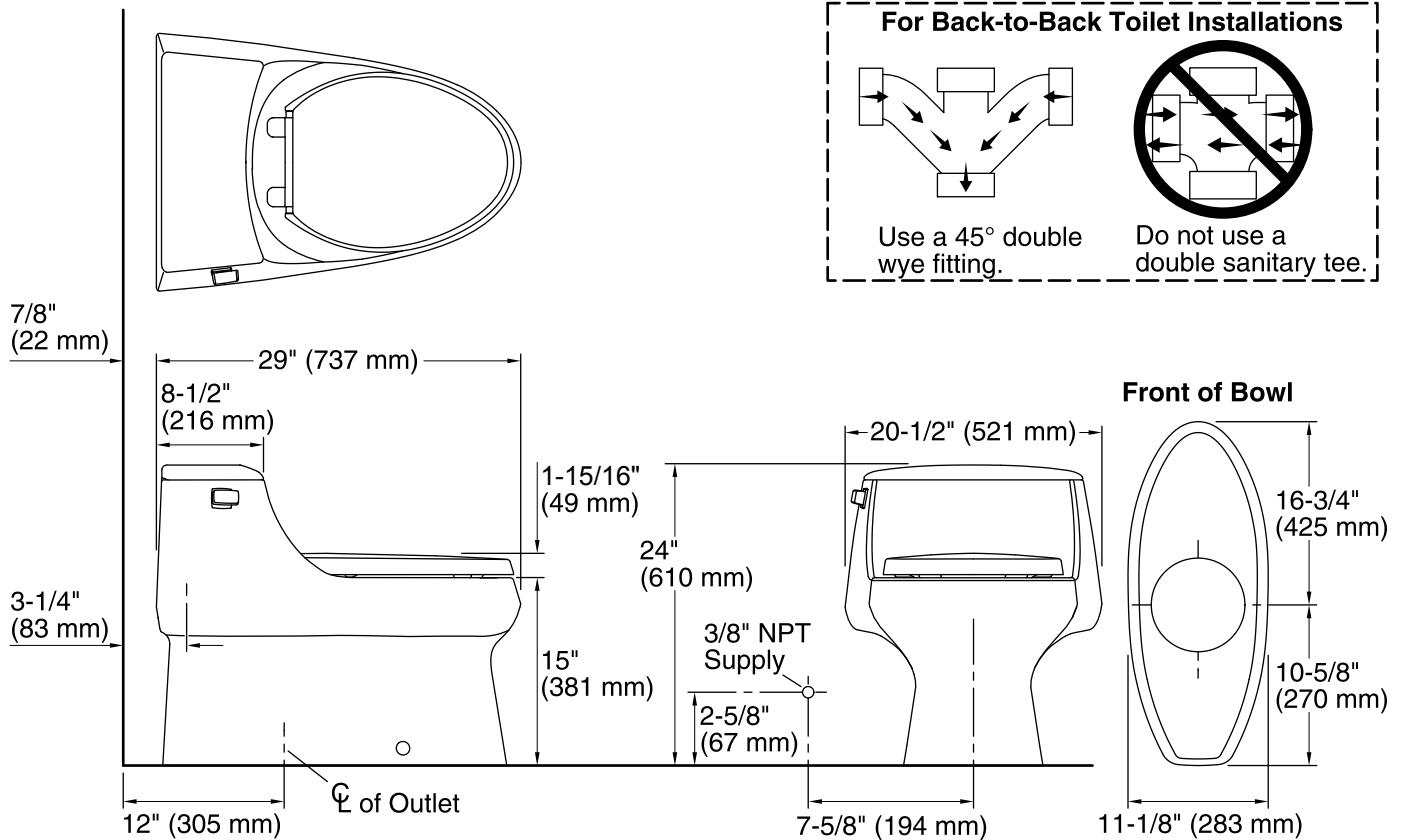
See website for detailed warranty information.

### Available Color/Finishes

*Color tiles intended for reference only.*

Color	Code	Description
-------	------	-------------

	0	White
--	---	-------



## Technical Information

All product dimensions are nominal.

Toilet type:	One-piece
Bowl shape:	Elongated front
Flush type:	Siphon jet
Water Consumption	
Full:	1.28 gpf (4.8 lpf)
Water surface size:	11-1/2" x 7" (292 mm x 178 mm)
Template:	1231981-7, required, included

## Notes

Install this product according to the installation guide.

For back-to-back toilet installations: Use only a 45° double wye fitting.