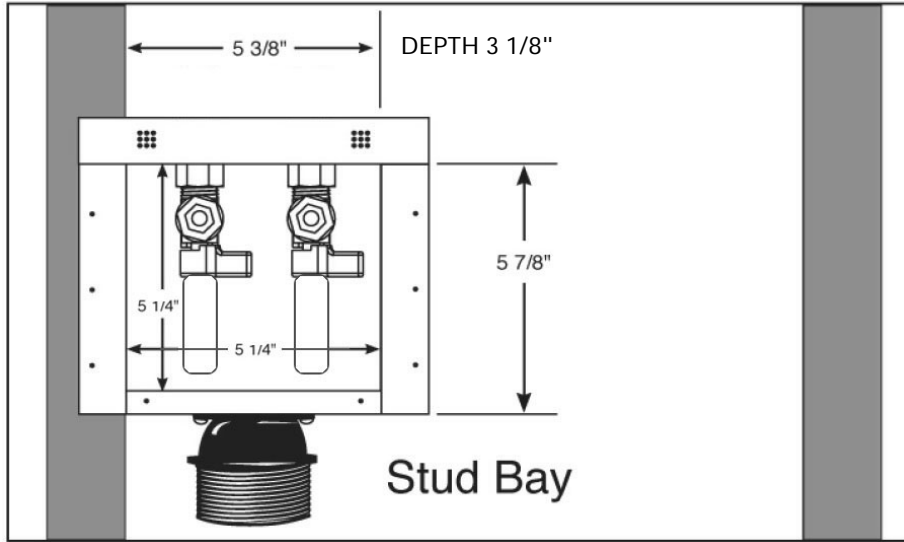


# SPECIFICATION SUBMITTAL SHEET



## "FR-12" WMOB with Quarter Turn Valves with Hammer Arrestors



**Specifications:**

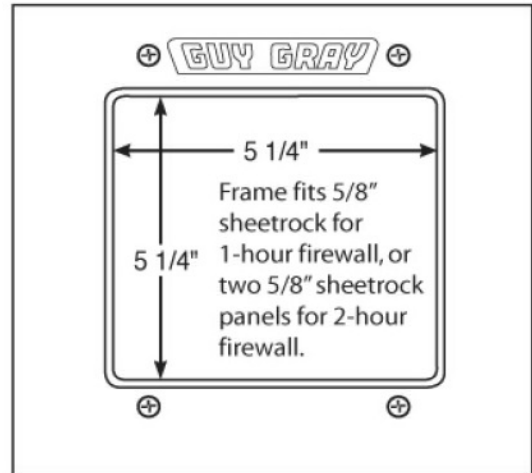
Furnish and install recessed fire rated washing machine outlet box. Unit shall have top mounted quarter-turn ball valves with integral hammer arrestors. Unit shall be Guy Gray product code checked below as manufactured by IPS Corporation.

**Box Material:**

White Powder Coat on Cold Rolled Steel Finish & UL Listed Intumescent Pad

**Valve & Drain Options:**

Qtr Turn Arrester Valve kit with 1/2" MIP/Sweat, CPVC, PEX or Wirsbo connection. Kit includes valve, locknut and o-ring. Valves comply with ASME A112.18.1.



Item #	Product Description	Model #	Quantity
82583	Qtr Turn Arrester Valve, 1/2" Sweat Connection	FRM12SHA	5
82585	Qtr Turn Arrester Valve, 1/2" CPVC Connection	FRM12CHA	5
82587	Qtr Turn Arrester Valve, 1/2" PEX® Connection	FRM12PHA	5
82589	Qtr Turn Arrester Valve, 1/2" Wirsbo® Connection	FRM12WHA	5

