

APPLICATION:

JOB NAME:

QUANTITY: ITEM NO.

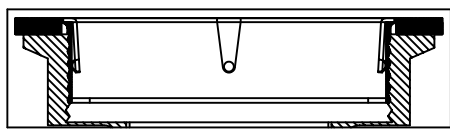
PRODUCT NAME:

DrainKing WASTE VALVE

_____ SPECIAL CONFIGURATION
CHECK BASE MODEL AND OPTIONS

MODEL:

22438

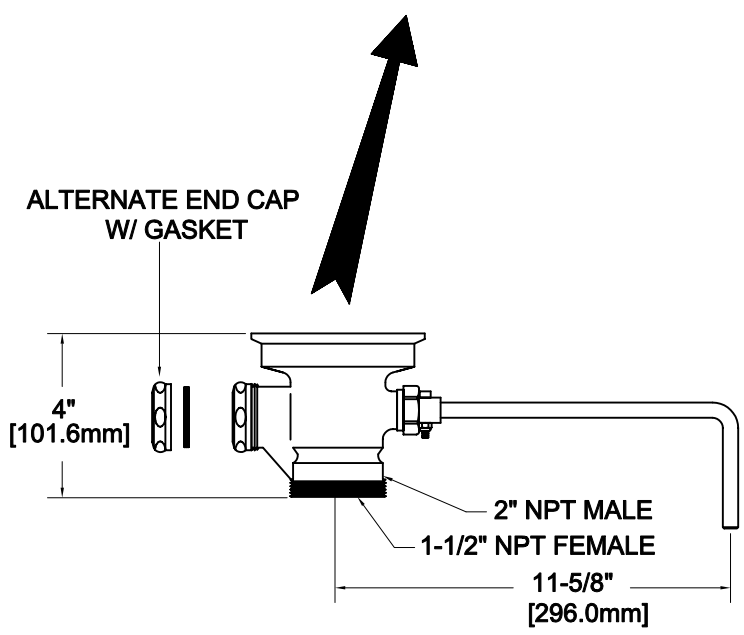


- OPTIONS OR MODIFICATIONS:
- SUPPLY LINES (24" OR 36") CIRCLE LENGTH
 - ADD-ON FAUCET (6", 8", 10", 12", 14", 16") CIRCLE
 - IN-LINE DUAL CHECK VALVE
 - HANDLES (CROSS OR WRIST) CIRCLE STYLE
 - VANDAL RESISTANT KIT
 - OTHER _____

- FEATURES:
- * DUAL TEFLON SEALS
 - * STAINLESS STEEL BALL
 - * CAST RED BRASS BODY
 - * EXTRA SURDY STAINLESS STEEL CLAMPING RING
 - * "CLEAR THROUGH" OPENING, NO NEED TO DISASSEMBLE IF SNAKING IS REQUIRED
 - * INDUSTRY STANDARD "SEALING" ANGLE - FITS FLUSH TO STANDARD STAINLESS STEEL SINKS
 - * STAINLESS STEEL FLAT STRAINER
 - * 1/4 TURN FULLY OPENS AND CLOSSES VALVE
 - * END CAP W/ GASKET (INSTALLED)
 - * SUPPLIED WITH:
ALTERNATE SLIP JOINT NUT & WASHER

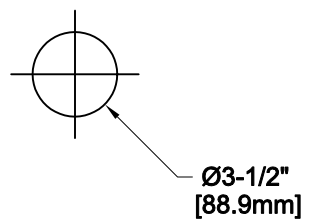
DRAIN RATE:
* 12 GPM

SHIPPING WEIGHT
* 5.5 LBS



ROUGH-IN:

DRAIN:



FISHER

FISHER MANUFACTURING COMPANY

TOLL FREE: 800-421-6162 - FAX: 800-832-8238

information@fisher-mfg.com - www.fisher-mfg.com