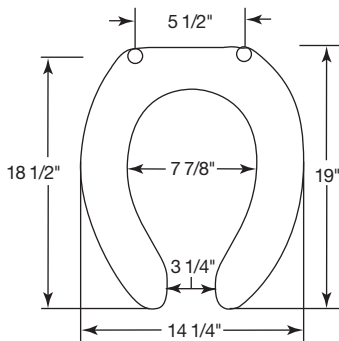




COMMERCIAL PLASTIC SEATS

MODEL 295CT

- ELONGATED SEAT, OPEN FRONT LESS COVER
- SOLID PLASTIC
- POSTUREPEDIC CONTOUR DESIGN
- STA-TITE®, COMMERCIAL FASTENING SYSTEM™



Ring thickness is 13/16"
 Ring thickness including the bumper is 1"
 Height of Seat is 2-1/4"

Seats shall be No. _____ as manufactured by Church Seats. Seats shall be heavy weight and injection-molded of solid plastic. Seats shall be open front less cover for elongated bowl and feature exclusive Posturepedic contour design and four large molded-in bumpers. Seats shall have STA-TITE®, Commercial Fastening System™, featuring concealed check hinges with 300 Series stainless steel posts and pintles that stop seat 11 degrees beyond vertical.

Color to be _____.
 (Specify white or fixture manufacturer's color.)

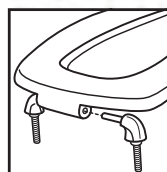
Hinges shall be 295CT / 295SSCT.
 (Circle model based on description below.)

295CT Concealed check hinge stops seat 11° beyond vertical.

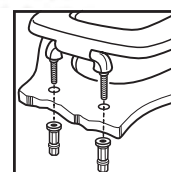
295SSCT Self-sustaining, concealed check hinge holds seat in any raised position up to 11° beyond vertical.



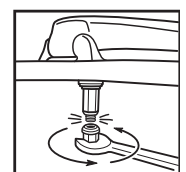
STATITE®



Assemble hinges.



Finger-tighten fastening nuts.



Using wrench, tighten until lower portion shears off.