

APPLICATION:

PRODUCT NAME:
STAINLESS STEEL SWIVEL SPOUT ASSEMBLY

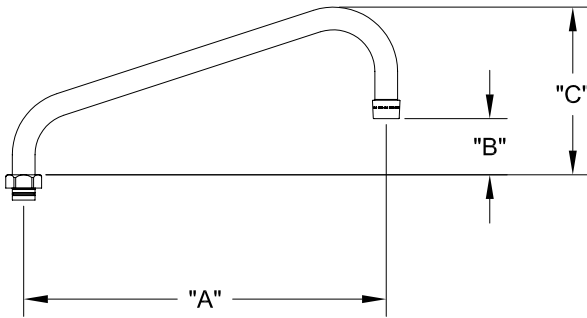
JOB NAME:

SPECIAL CONFIGURATION
 CHECK BASE MODEL AND OPTIONS

QUANTITY:

ITEM NO.

MODEL:
 54380 6" SWIVEL SPOUT
 54399 8" SWIVEL SPOUT
 54402 10" SWIVEL SPOUT
 54410 12" SWIVEL SPOUT
 54429 14" SWIVEL SPOUT
 54445 16" SWIVEL SPOUT



OPTIONS OR MODIFICATIONS:
 OTHER _____

FEATURES

* 2.2 GPM AERATOR

RECOMMENDED SETTINGS

* 110°F AT 80 PSI

SYSTEM LIMITS

* TEMP: 40°F MIN. TO 140°F MAX.
 * PRESSURE: 200 PSI MAX. STATIC

SHIPPING WEIGHT

* 0.75 LBS

* NSF 61-9 APPROVED & LISTED
www.truesdail.com

MODEL	DIM "A"	DIM "B"	DIM "C"
54380	6" [152mm]	3/8" [10mm]	4" [102mm]
54399	8" [204mm]	1-1/4" [33mm]	5" [127mm]
54402	10" [254mm]	1-1/4" [33mm]	5" [127mm]
54410	12" [305mm]	2" [51mm]	5-3/4" [145mm]
54429	14" [356mm]	2-5/8" [67mm]	6-1/4" [160mm]
54445	16" [406mm]	3-1/4" [83mm]	7" [178mm]

ANSI/A112.18.1M

FISHER
 FISHER MANUFACTURING COMPANY
 TOLL FREE: 800-421-6162 - FAX: 800-832-8238
information@fisher-mfg.com - www.fisher-mfg.com