

Method™ Technical Specification

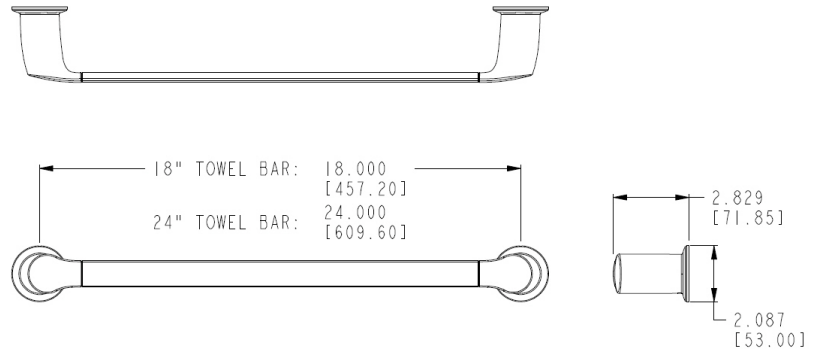
18" & 24" Towel Bar

YB2418 & YB2424

Stock Numbers:

- q **YB2418BN – 18" Towel Bar**
Brushed Nickel Finish
- q **YB2424BN – 24" Towel Bar**
Brushed Nickel Finish
- q **YB2418CH – 18" Towel Bar**
Chrome Finish
- q **YB2424CH – 24" Towel Bar**
Chrome Finish

Dimensions:



Materials:

Towel bar posts are constructed of zinc. Bar is constructed of brass.

Installation Instructions:

This product features the Pro+Fit Installation Mounting System. If you do not have the Pro+Fit Installation Template please use the following instructions. (Note: only one hole is required per mounting post.)

1. Find the appropriate center to center measurement for the product you are installing.
 2. Mark that distance on the wall where you want to install the product.
 3. Use a level to ensure that the pilot holes will be perfectly level.
 4. Using 1/4" drill bit, drill one pilot hole for each post 18" apart for the 18" towel bar (24" for the 24" towel bar).
 5. Position mounting post to wall by inserting wall anchor into pilot hole and pressing firmly (Make sure that locking tab on mounting post is facing down).
 6. Tighten wall anchor screw while holding mounting post firmly in place. DO NOT over tighten.
 7. Using tip of screw bit press wall spikes (metal pieces on outer edge of mounting post) into drywall.
 8. Towel bar must be attached to mounting posts as a unit - insert towel bar into each post.
 9. Attach posts by pressing firmly to mounting posts until it clicks. (The square opening at the base of the post must be facing down to match-up with locking tab.)
- If you are mounting any parts into a hard surface pull out the anti-rotation fins on the

Cleaning Instructions:

To preserve the fine finish of this product, clean only with a soft damp cloth. Dry wall. Do not use commercial or abrasive cleaners.

Stock Number: _____ **Towel Bar**
By Creative Specialties



25300 AL MOEN DRIVE • NORTH OLMSTED, OH 44070
CORPORATE HEADQUARTERS: (800) 321-8809 • FAX: (800) 848-6636
INTERNATIONAL: (440) 962-2000 • FAX: (440) 962-2726
CUSTOMER SERVICE (USA): 800-882-0116 • FAX: (888) 379-2720
WWW.CSI.MOEN.COM

©Copyright Creative Specialties International 2006

Literature #BA1507