

Home Care Technical Specification

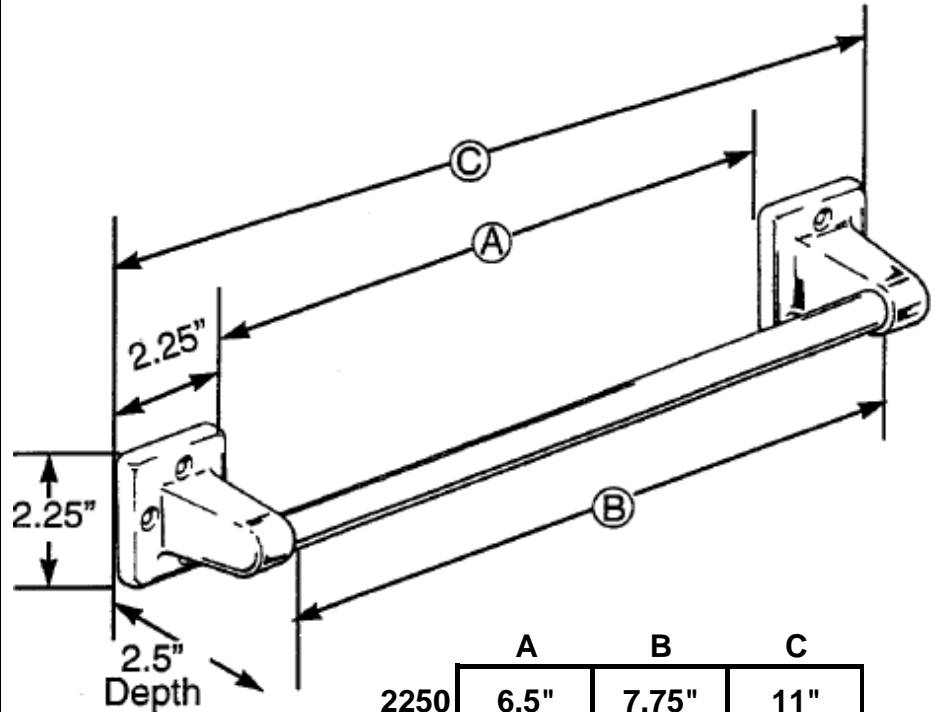
Bath Grips

2200, 5600

Stock Numbers:

- q **R2250 – 9" Bath Grip**
Polished Chrome Finish, • " Rod,
Exposed Screw Mounting
- q **R2250W – 9" Bath Grip**
White Finish, • " Rod,
Exposed Screw Mounting
- q **R2260 – 16" Bath Grip**
Polished Chrome Finish, • " Rod,
Exposed Screw Mounting
- q **R2260W – 16" Bath Grip**
White Finish, • " Rod,
Exposed Screw Mounting
- q **R2270 – 24" Bath Grip**
Polished Chrome Finish, • " Rod,
Exposed Screw Mounting
- q **R2270W – 24" Bath Grip**
White Finish, • " Rod,
Exposed Screw Mounting
- q **56024PB – 24" Bath Grip**
Polished Brass Finish, • " Rod,
Exposed Screw Mounting
- q **56036CH – 36" Bath Grip**
Polished Chrome Finish, • " Rod,
Exposed Screw Mounting

Dimensions:



	A	B	C
2250	6.5"	7.75"	11"
2260	13.5"	14.75"	18"
2270	21.5"	22.75"	26"
56024	33.5"	34.75"	38"
56036	33.5"	34.75"	38"

Materials:

Bath Grip rods are type-304 stainless steel. Posts are cast from highest quality zinc alloy (zamac). Both have a triple plated polished brass or polished chrome or a powder coated white finish.

Installation Instructions:

1. Position assembled unit on wall in desired location.
 2. Mark mounting holes.
 3. Drill starter holes.
 4. Mount assembled unit on wall using 2" screws (provided).
- Note: Wood blocking is preferable behind all wall surfaces. If wood blocking is not available, the following optional fasteners are suggested: Tile/Masonry – Plastic or Lead Anchors; Plaster/Drywall – Toggle Bolts.

Stock Number: _____ **Bath Grip**
By CSI Bath Furnishings

