

Sage™ Technical Specification

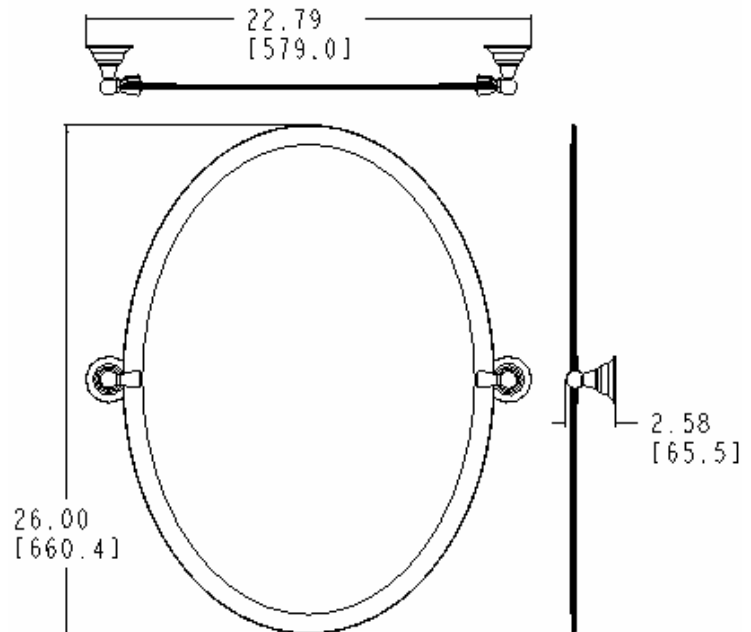
Oval Tilting Mirror

DN6892

Stock Numbers:

- q **DN6892BN – Oval Tilting Mirror**
Brushed Nickel Finish

Dimensions:



Materials:

Oval Tilting Mirror posts are constructed of zinc and mirror is constructed of 5MM thick glass.

Installation Instructions:

1. Position the mounting template on the wall in the desired location. Using a level, align the template and tape it to the wall.
2. Using a 1/4" diameter drill bit, drill 4 holes as indicated on the template.
3. Remove template from the wall.
4. Remove the screws and washers from each of the 4 wall anchors in the hardware kit. Set the screws and washers aside for later use.
5. Insert the hollow wall anchors into the 4 holes in the wall by lightly tapping with a hammer until flush.
6. Remove mounting posts from end post assembly by loosening each setscrew.
7. One at a time, place each mounting post over the wall anchors with notch facing down. Insert the screws and washers through the slots in the mounting posts and into the wall anchors.
8. To activate the wall anchors, turn screws until you feel increased resistance.
9. Loosen the 2 small screws on each of the end posts.
10. With the back of the mirror facing you, slide the end posts into position on the mirror (See figure 1). Align the screws with the holes in the back plates. Tighten all 4 screws.
11. Place mirror assembly over the mounting posts on the wall (setscrews facing down). Tighten setscrews.

Cleaning Instructions:

To preserve the fine finish of this product, clean only with a soft damp cloth. Dry well. Do not use commercial or abrasive cleaners.

Stock Number: _____ **Oval Tilting Mirror**
By Creative Specialties



25300 AL MOEN DRIVE • NORTH OLMSTED, OH 44070
CORPORATE HEADQUARTERS: (800) 321-8809 • FAX: (800) 848-6636
INTERNATIONAL: (440) 962-2000 • FAX: (440) 962-2726
CUSTOMER SERVICE (USA): 800-882-0116 • FAX: (888) 379-2720

©Copyright Creative Specialties International 2005

Literature #BA1270