


**For Residential and Commercial Applications**

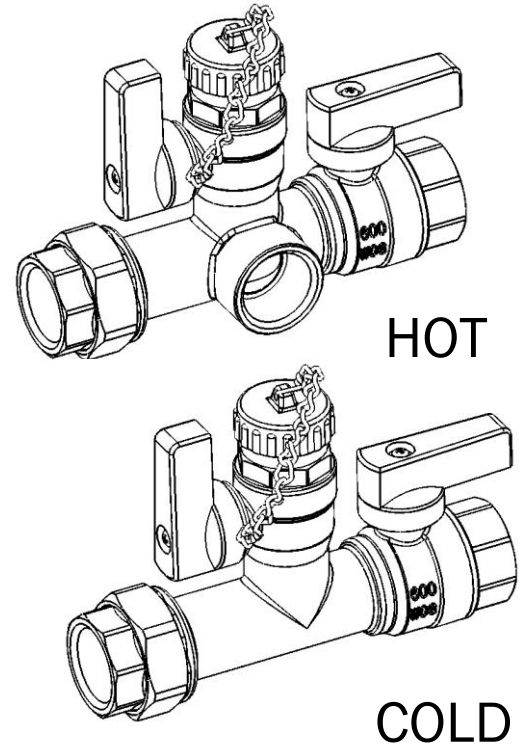
Job Name		Engineer / Architect	
Job Location		Wholesaler	
Submittal Date		Contractor	

## TWV30 /TWV3S Tankless Water Heater Hot/Cold Service Valves

**Use:** For use in potable water distribution systems for water flow control. Valves connect directly to cold water inlet and hot water outlet of the tankless water heater. Use for appliance maintenance and emergency shut-off.

**Design Features:**

- **Compact design** ideal for recessed and cover box installations
- **Captive coupling nut & washer** reduces opportunity for component loss making installation easier
- **Captive washer** won't kink or tear during installation
- **Forged, one-piece construction** reduces the potential for pinhole leaks
- **Integrated drain valve** with independent, ¼ turn operation allows quick system diagnostic testing and maintenance
- **Built-in side port** for the pressure relief valve reduces the number of connections & simplifies the installation
- **Right-sized handles, color-coded** for immediate system identification. Perfect for tight installations
- **100% Compliant** 



**Operating Specifications:**

**Temperature:** 40°- 180° F  
**Pressure:** 125 PSI maximum

**Standard**

<b>MATERIAL SPECIFICATIONS</b>	
<b>Valve Body</b>	Forged brass
<b>Stem</b>	Brass
<b>Handle</b>	Aluminum, coated
<b>Handle Screw</b>	Steel, zinc plated
<b>Flat Seal</b>	Rubber
<b>Coupling Nut</b>	Forged brass
<b>Drain Cap</b>	Forged brass
<b>Cap Gasket</b>	Rubber
<b>Seat</b>	PTFE
<b>Ball</b>	Brass, chrome plated

**Compliant**

<b>MATERIAL SPECIFICATIONS</b>	
<b>Valve Body</b>	Compliant forged brass
<b>Stem</b>	Compliant brass
<b>Handle</b>	Aluminum, coated
<b>Handle Screw</b>	Steel, zinc plated
<b>Flat Seal</b>	Rubber
<b>Coupling Nut</b>	Forged brass
<b>Drain Cap</b>	Forged brass
<b>Cap Gasket</b>	Rubber
<b>Seat</b>	PTFE
<b>Ball</b>	Compliant brass, chrome plated

*This specification and all information contained herein is the confidential and exclusive property of BrassCraft Manufacturing, and shall not be disclosed to others without the written consent of BrassCraft Mfg. This specification must be returned to BrassCraft Mfg. if requested.*



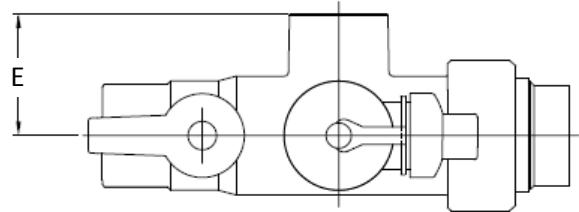
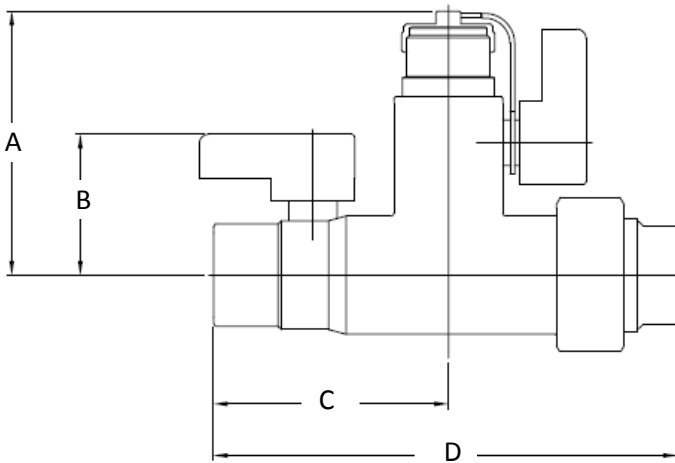
# TWV30 /TWV3S Tankless Water Heater Hot/Cold Service Valves

**Standard Part Listing:**

- TWV30                    3/4" IPS x 3/4" IPS Hot/Cold Service Valves Only
- TWV30R                   3/4" IPS x 3/4" IPS Hot/Cold Service Valve Kit w/ 200K Pressure Relief Valve
- TWV3S                    3/4" Sweat x 3/4" IPS Hot/Cold Service Valves Only
- TWV3SR                   3/4" Sweat x 3/4" IPS Hot/Cold Service Valve Kit w/ 200K Pressure Relief Valve

**Compliant Part Listing:**

- TWV30X                   3/4" IPS x 3/4" IPS Hot/Cold Service Valves Only
- TWV30RX                3/4" IPS x 3/4" IPS Hot/Cold Service Valve Kit w/ 200K Pressure Relief Valve
- TWV3SX                   3/4" Sweat x 3/4" IPS Hot/Cold Service Valves Only
- TWV3SRX                3/4" Sweat x 3/4" IPS Hot/Cold Service Valve Kit w/ 200K Pressure Relief Valve



<b>PART SPECIFICATIONS (Inches)</b>					
<b>Model</b>	<b>DIM. A</b>	<b>DIM. B</b>	<b>DIM. C</b>	<b>DIM. D</b>	<b>DIM. E*</b>
TWV30 / TWV30R	3.03	1.76	2.60	5.61	1.09
TWV3S / TWV3SR	3.03	1.76	2.60	5.61	1.09

\*Dimension for hot valve with pressure relief valve port

**Listings and Certifications:**

- CSA verified to WOG 600 rating
- IAPMO listed to NSF/ANSI 61-2010 (File # N-5427) and IGC 157-2010 (File # 5427)
- Compliant product manufactured in compliance with section 116875 of the California Health & Safety Code. IAPMO File # 6242



*This specification and all information contained herein is the confidential and exclusive property of BrassCraft Manufacturing, and shall not be disclosed to others without the written consent of BrassCraft Mfg. This specification must be returned to BrassCraft Mfg. if requested.*

