

**For Residential and Commercial Applications**

Job Name		Engineer / Architect	
Job Location		Wholesaler	
Submittal Date		Contractor	

## B1-\*\*A/ B2-\*\*A/ B3-\*\*A Speedi Plumb® PLUS Braided Faucet Connector - Compression Inlet

**Use:** For use in potable water distribution systems in accessible locations only

**Design Features:**

- **Engineered polymer braided** fibers bend freely without kinking or crimping
- **Reinforced PVC inner hose** provides added durability under the harshest water conditions
- **Rubber washers** provide a large pliable sealing surface and ensure a long lasting, water-tight connection
- **8-sided pneumatic crimp** provides greater dependability for a reliable nut-to-hose connection
- **No Lead**

**Operating Specifications:**

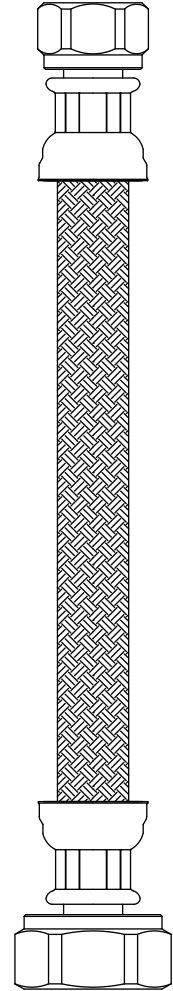
**Temperature:** 40°- 140° F, intermittent to 180° F

**Pressure:** 125 PSI maximum

**Tubing Diameter:** 0.300" ID (0.550" OD)



\*\*Except where noted



**MATERIAL SPECIFICATIONS**

<b>Inner Hose</b>	Reinforced PVC
<b>Braiding</b>	PVC coated polyester yarn
<b>Barb</b>	Brass
<b>Ferrule</b>	Steel, zinc plated
<b>Nut</b>	Brass, chrome plated or polypropylene
<b>Washer</b>	Rubber
<b>Compression Nut</b>	Brass, chrome plated

**Part Listing:**

- B1-12A F            3/8" compression x 1/2" FIP\* x 12" length
- B1-16A F            3/8" compression x 1/2" FIP\* x 16" length
- B1-20A F            3/8" compression x 1/2" FIP\* x 20" length
- B1-20AU D          3/8" compression x 1/2" FIP\* x 20" length connector with 1/2" OD compression & 1/2" iron pipe valve adaptors, and washers, carded
- B1-20H F\*\*\*        3/8" compression x 1/2" FIP\* plastic nut x 20" length
- B1-24A F            3/8" compression x 1/2" FIP\* x 24" length, assembled in Mexico
- B1-30A F \*\*        3/8" compression x 1/2" FIP\* x 30" length, assembled in Mexico
- B1-36A F\*\*        3/8" compression x 1/2" FIP\* x 36" length, assembled in Mexico

*This specification and all information contained herein is the confidential and exclusive property of BrassCraft Manufacturing, and shall not be disclosed to others without the written consent of BrassCraft Mfg. This specification must be returned to BrassCraft Mfg. if requested.*



# B1-\*\*A/ B2-\*\*A/ B3-\*\*A Speedi Plumb® PLUS Braided Faucet Connector - Compression Inlet

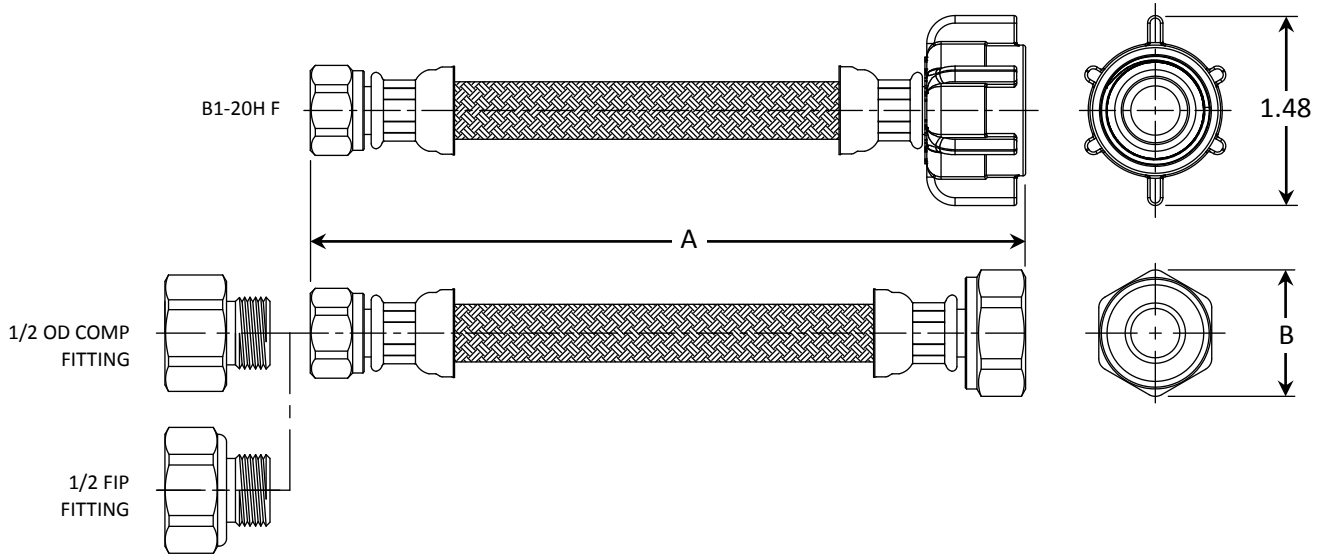
**Part Listing (con't):**

- B1-48A F            3/8" compression x 1/2" FIP\* x 48" length
- B1-60A F            3/8" compression x 1/2" FIP\* x 60" length
- B1-72A F            3/8" compression x 1/2" FIP\* x 72" length
- B1-96A F            3/8" compression x 1/2" FIP\* x 96" length
- B2-12A F            7/16" compression x 1/2" FIP\* x 12" length
- B2-20A F\*\*        7/16" compression x 1/2" FIP\* x 20" length, assembled in Mexico
- B3-12A F            1/2" compression x 1/2" FIP\* x 12" length
- B3-16A F            1/2" compression x 1/2" FIP\* x 16" length
- B3-20A F            1/2" compression x 1/2" FIP\* x 20" length
- B3-30A F\*\*        1/2" compression x 1/2" FIP\* x 30" length, assembled in Mexico

\* 1/2" FIP also fits 7/16" rubber slip nut

\*\* DMA N/A

\*\*\* Long wing nuts allow for quick connection and ensure dependable thread engagement



PART DIMENSIONS (Inches)		
Model	DIM. A	DIM. B
B1-12	12.0 / 13.0	.98
B1-16	16.0 / 17.0	.98
B1-20	20.0 / 21.0	.98
B1-30	30.0 / 31.0	.98
B1-36	36.0 / 37.0	.98
B1-48	48.0 / 49.0	.98

PART DIMENSIONS (Inches)		
Model	DIM. A	DIM. B
B1-60	60.0 / 61.0	.98
B1-72	72.0 / 73.0	.98
B1-96	96.0 / 97.0	.98
B2-12	12.0 / 13.0	.98
B2-16	16.0 / 17.0	.98
B2-20	20.0 / 21.0	.98

PART DIMENSIONS (Inches)		
Model	DIM. A	DIM. B
B3-12	12.0 / 13.0	.98
B3-16	16.0 / 17.0	.98
B3-20	20.0 / 21.0	.98
B3-30	30.0 / 31.0	.98
B3-36	36.0 / 37.0	.98

**Listings & Certifications:**

- IAPMO listed to ASME A112.18.6 and CSA B125.6 (File # 0452)
- CSA listed to ASME A112.18.6 and CSA B125.6 (File #204593)
- No-lead product CSA listed to NSF 372 (Class 6853-01)



*This specification and all information contained herein is the confidential and exclusive property of BrassCraft Manufacturing, and shall not be disclosed to others without the written consent of BrassCraft Mfg. This specification must be returned to BrassCraft Mfg. if requested.*

**BrassCraft®**