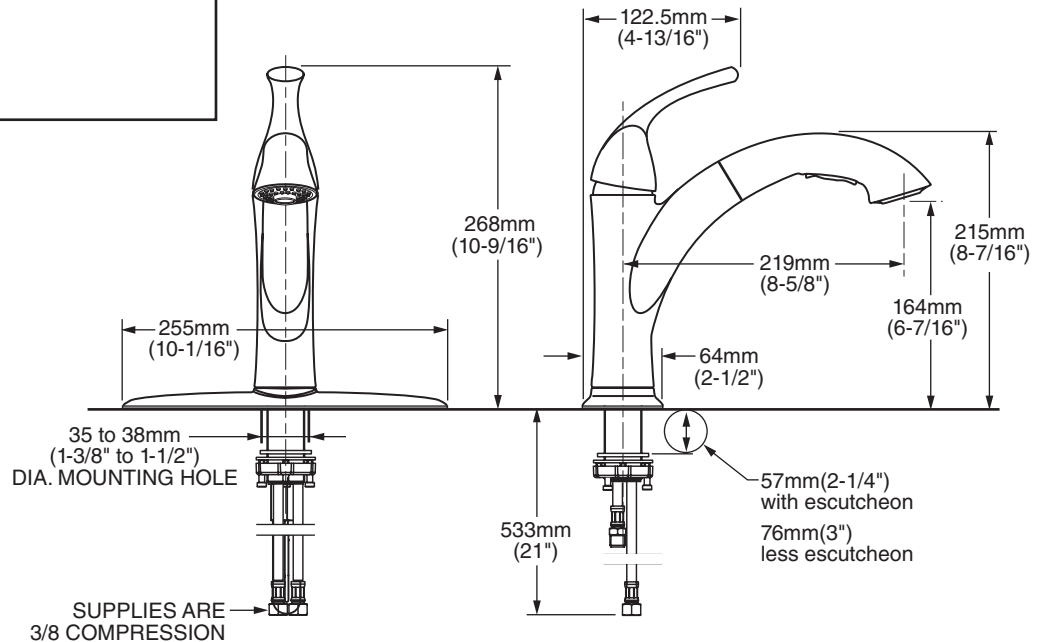




MODEL NUMBER:

- ☐ **4433.100 Kitchen Faucet with Pull-out Spray**
Escutcheon plate, (use is optional).



GENERAL DESCRIPTION:

Metal handle and escutcheon plate. Metal swivel pull-out spray spout. Adjustable spray pattern with toggle button activation. Washerless 40mm ceramic disc valve cartridge. Braided flexible supply hoses with 3/8" compression connections. Metal mounting shank with brass fixation ring. Complete with two integral check valves. 2.2gpm/8.3L/min. maximum flow rate. Fitting can be mounted with or without escutcheon plate (escutcheon size 10-1/16"L x 2-1/2"W).

PRODUCT FEATURES:

Ceramic Disc Valve Cartridge: Assures smooth, precise valve control and a lifetime of drip-free, maintenance-free performance.

Memory Position Valving: Allows user to turn valve on and off at preferred temperature setting without readjusting handle position each time.

Lead Free: Faucet contains ≤ 0.25% total lead content by weighted average.

Integral Check Valves: Prevents back flow.

Pull-out Spray Spout: Switches water flow from a stream to a spray. Simplifies even the most difficult cleaning tasks.

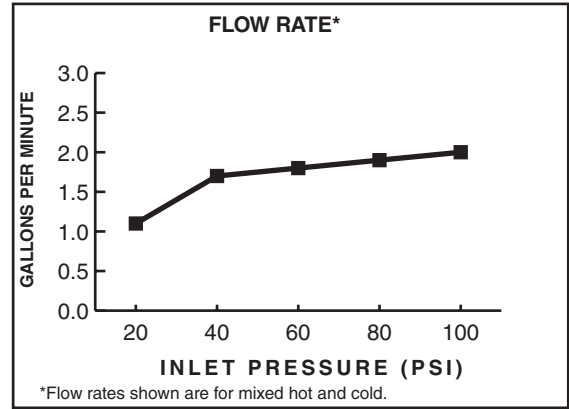
SUGGESTED SPECIFICATION:

Single control kitchen pull-out faucet shall feature a swivel pull-out spray spout with two check valves, metal escutcheon plate and handle. Shall also feature washerless ceramic disc valve cartridge and flexible supply hoses. Faucet shall be American Standard Model # 4433.100._____

CODES AND STANDARDS


These products meet or exceed the following codes and standards:

- ANSI A117.1**
- ASME A112.18.1**
- NSF 61/Section 9 & Annex G**
- CSA B125**



2.2gpm/8.3L/min. FLOW RATE

Product Number	Description	Finish Options		
		Polished Chrome	Stainless Steel (PVD)	Oil Rubbed Bronze
		002	075	224
4433.100	Pull-out kitchen faucet.			

 Meets the American Disabilities Act Guidelines and **ANSI A117.1** Requirements for the physically challenged.