

Little GIANT®

WCR-9S

WASTEWATER COLLECTION & REMOVAL SYSTEM



Features

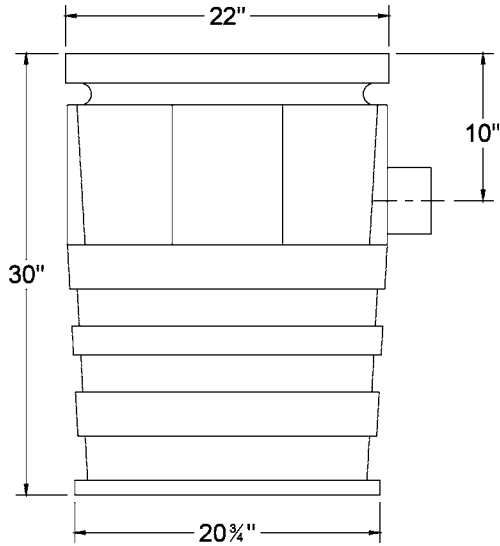
- Handles liquid and semi-solid waste materials up to 2" spherical diameter
- Larger capacity extends pump life by reducing pump cycles
- 20"×30" polyethylene basin with ribs for added strength
- 4" molded external inlet hub to accept flexible coupling
- Molded torque stops in bottom of basin to locate pump
- Anti-flotation collar
- Solid structural foam or steel cover with stainless steel cover bolts
- 360° molded handle for ease of transportation and installation
- Schedule 40 PVC discharge piping with pre-drilled air-bleed hole
- Full flow check valve
- Includes Little Giant's 9S Series 4/10 HP sewage ejector pump
- System installs flush with ground
- Service pump without digging
- Side discharge and electrical connections

The new Little Giant® WCR-9S wastewater systems are designed for collection and removal of water run-off from low-lying problem areas. The systems are available pre-packaged with a solid structural foam or steel cover. The discharge and electrical connections are made through the side of the basin, allowing the top of the basin to be flush with ground level. No digging is required for servicing the system. The units are equipped with schedule 40 PVC discharge piping with a pre-drilled air bleed hole and a full flow check valve. The unit is also equipped with a 2" bulkhead fitting to easily route power cords out of the basin.

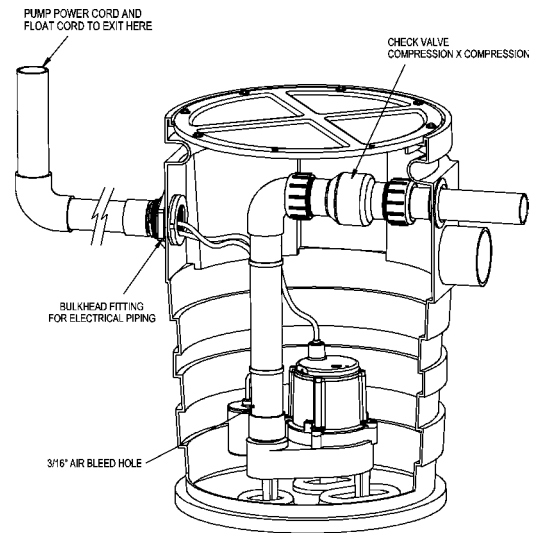
The WCR-9S comes equipped with a 4/10 HP 9S Series wastewater and sewage ejector pump. The unit is equipped with cast iron housing and volute which has a protective epoxy coating. Automatic operation is achieved by use of a piggyback mechanical float switch.

WCR-9S

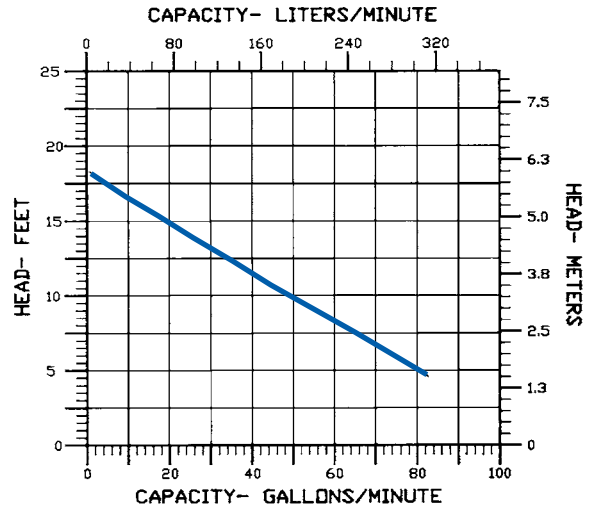
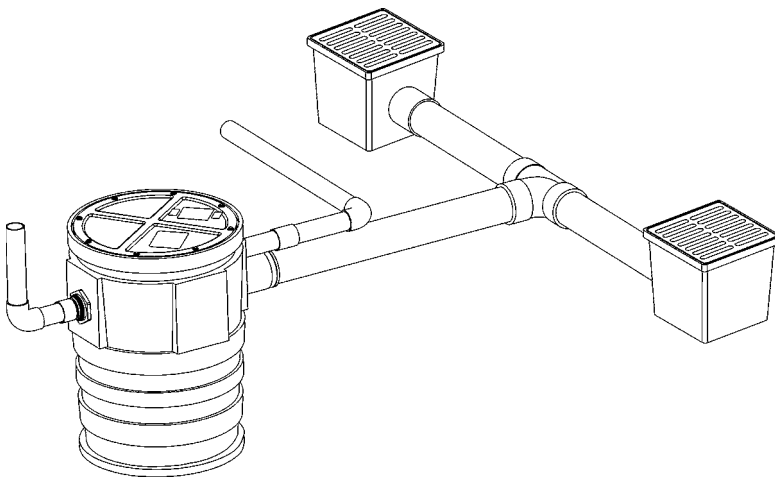
WASTEWATER COLLECTION & REMOVAL SYSTEM



BASIN DETAIL



TYPICAL INSTALLATION



**9S-CIA-RFS
PERFORMANCE CURVE**

Specifications

Item No	Model No	Volts	Discharge	Check Valve	Cover	Weight
509081	WCR-9SP	115	2"	2" Slip x Slip	Structural Foam	66
509082	WCR-9SS	115	2"	2" Slip x Slip	Steel	69