

## FAUCET DESCRIPTION

- Chrome plated metal construction
- 1/2" IPS adapters
- Supplied with vandal resistant screws

## OPERATION

- Lever style handle with hot and cold color indicators
- Lift-on/Push-off
- Temperature controlled by 180° arc of handle travel

## FLOW

- Aerator limited to 2.2 gpm max (8.3 L/min)

## CARTRIDGE

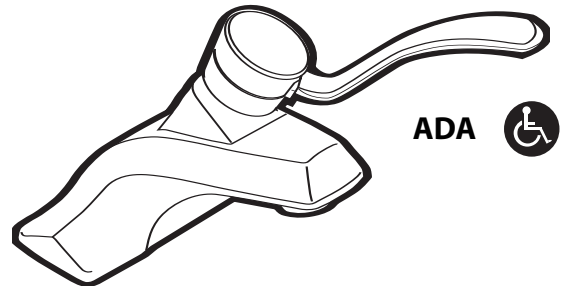
- 1225 cartridge design
- Nonmetallic/nonferrous and stainless steel material

## STANDARDS

- Third party certified by IAPMO and CSA to meet ASME A112.18.1M and all applicable specifications referenced therein and complies with the requirements of ANSI A117.1

## WARRANTY

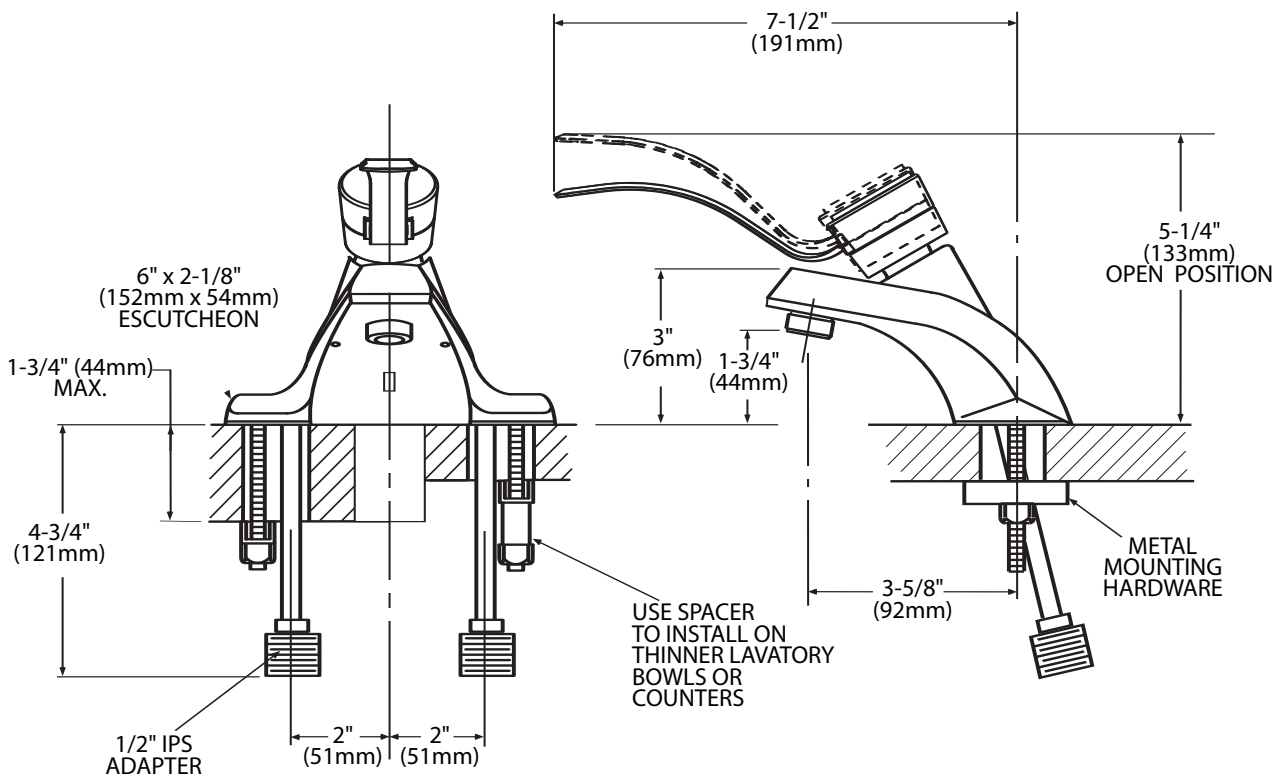
- Warranted for 5 years against material or manufacturing defects



**Single-Handle Lavatory Faucet**

**Model: 8400 (Chrome)**

**NOTE:** DESIGNED TO BE INSTALLED THROUGH 3 HOLES 1" MIN. DIA. 2" ON CENTER, OR 2-1" MIN. DIA. 4" ON CENTER



## CRITICAL DIMENSIONS

(DO NOT SCALE)