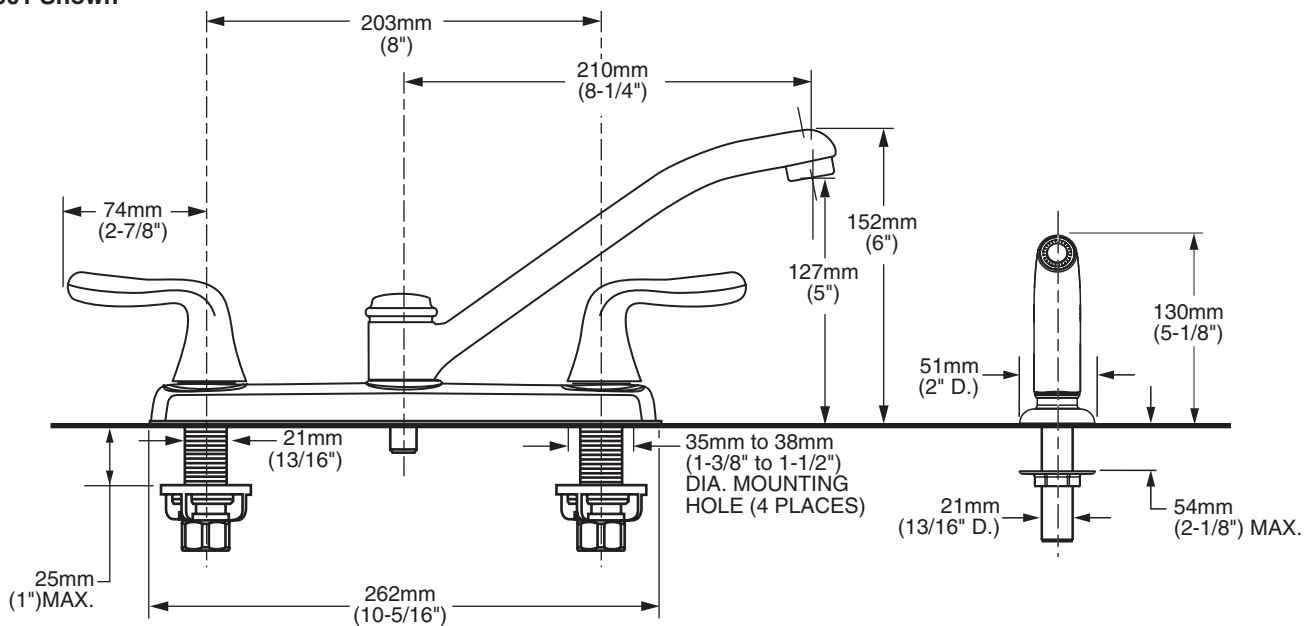


4275.501 Shown

MODEL NUMBER:

- 4275.500 Kitchen Faucet**
Lever Handles. Less Handspray.
- 4275.501 Kitchen Faucet**
Lever Handles. Separate Color-Matched Handspray.



GENERAL DESCRIPTION:

Durable brass construction. 1/4 turn washerless ceramic disc valve cartridges. Durable cast brass waterway with 1/2" male inlet shanks. 8-1/4 (210mm) long cast brass swivel spout. Lever handles. Metal escutcheon plate (escutcheon size 10-5/16"L x 2-3/8"W). 2.2gpm/8.3L/min. maximum flow rate.

PRODUCT FEATURES:

Ceramic Disc Valve Cartridges: Assures a lifetime of drip-free performance.

Cast Brass Waterways with "City Shanks": Strong and durable. Integral tabs on casting provide a wobble-free installation.

Lead Free: Faucet contains ≤ 0.25% total lead content by weighted average.

Simple Installation: Fast and easy one person installation. Faucet drops in from top. Quick spin nuts secure faucet in place.

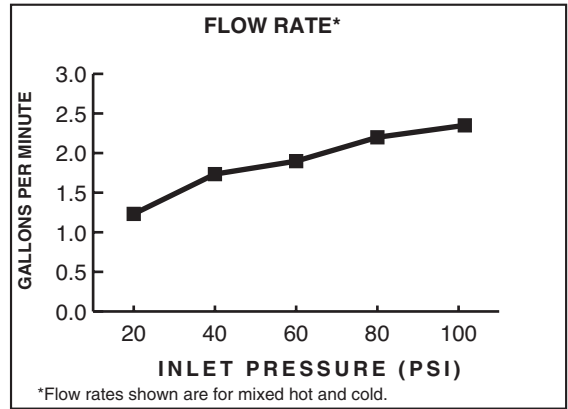
SUGGESTED SPECIFICATION:

Two handle kitchen faucet shall feature brass construction with brass inlet shanks and coupling nuts. Brass swivel spout. Shall also feature 1/4 turn washerless ceramic disc valve cartridges that are reversible for use on either "hot" or "cold" side. Fitting shall be American Standard Model # 4275.5____.

CODES AND STANDARDS

These products meet or exceed the following codes and standards:

- ASME A112.18.1**
- CSA B 125**
- NSF 61/Section 9 & Annex G**
- ANSI A117.1**



Product Number	Description	Finish Options	
		Polished Chrome	PVD Satin Nickel
		002	295
4275.500	Kitchen faucet. Lever handles. Less Handspray.		
4275.501	Kitchen faucet. Lever handles. Separate Color-Matched Handspray.		



Meets the American Disabilities Act Guidelines and **ANSI A117.1** Requirements for the physically challenged.