

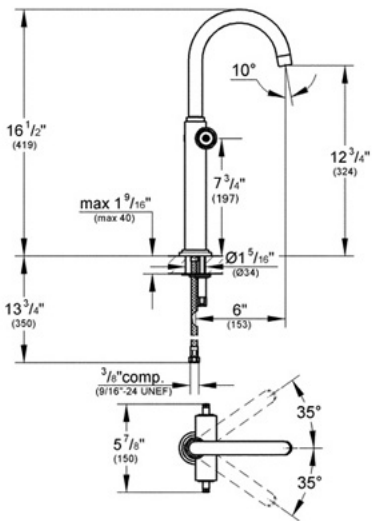
21 046 Deck-mount vessel faucet



Description

16 1/2" tall
 6" swivel spout
 Two handles
 Solid brass body
 Stainless steel braided supply hoses
 Single hole installation
 GROHE SilkMove® ceramic cartridges

Sold less handles. Shown with both Trio spoke handles (18 026) and lever handles (18 027).



Flow Rate

2.2 gpm at 60 psi,
 2.5 gpm at 80 psi

Code Compliance

ASME/ANSI A112.18.1M
 ANSI/NSF Standard 61

Finish Options

21 046 000 Starlight® Chrome
 21 046 AVO Infinity Satin Nickel
 21 046 BEO Sterling Infinity Finish
 21 046 ENO Infinity Brushed Nickel