

STERLING®

A KOHLER COMPANY

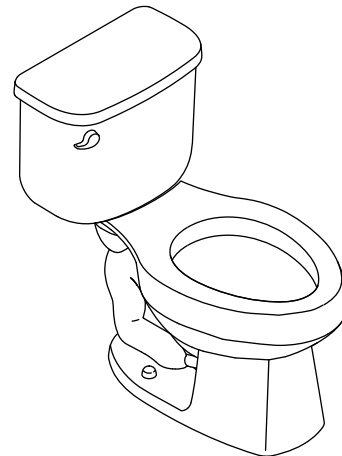
WINDHAM™

Features

- Vitreous china
- Sterling Pro Force® Technology
- Luxury Height® elongated bowl
- 5-year limited warranty
- 1.28 gpf (4.8 lpf)
- Flushes efficiently regardless of incoming water pressure
- Three-bolt, quick-connect installation system
- Polished chrome trip lever
- Less seat and supply
- 12" (305 mm) rough-in
- 8" (203 mm) x 10" (254 mm) water area
- 29-1/8" (740 mm) x 15" (381 mm) x 31" (787 mm)

LUXURY HEIGHT® HET-HIGH EFFICIENCY TOILET 403082

ADA CSA B651 OBC



Codes/Standards Applicable

Specified model meets or exceeds the following:

- ADA
- ICC/ANSI A117.1
- CSA B651
- OBC
- ASME A112.19.2/CSA B45.1
- EPA WaterSense®

Colors/Finishes

- 0: White
- Other: Refer to Price Book for additional colors/finishes

Accessories

- 0: White
- Other: Refer to Price Book for additional colors/finishes

Specified Model

Model	Description	Trip Lever	Included Tank	Included Bowl	Colors/Finishes	
403082	Luxury Height HET-High Efficiency toilet (shown)	left-hand	404551	403315	<input type="checkbox"/> 0	<input type="checkbox"/> Other_____
403082-RA	Luxury Height HET-High Efficiency toilet	right-hand	404551-RA	403315	<input type="checkbox"/> 0	<input type="checkbox"/> Other_____

Recommended Accessories

K-4650	Lustra™ elongated open-front toilet seat – for Accessibility compliance	<input type="checkbox"/> 0	<input type="checkbox"/> Other_____
K-4650-A	Lustra elongated open-front toilet seat with anti-microbial agent – for Accessibility compliance	<input type="checkbox"/> 0	

Product Information

Fixture:	
Configuration	Two-piece, elongated
Water per full flush	1.28 gpf (4.8 lpf)
Passageway	2" (51 mm)
Water area	8" (203 mm) x 10" (254 mm)
Seat post hole centers	5-1/2" (140 mm)

Included components:	
Bowl	403315
Tank – left-hand OR	404551
Tank – right-hand	404551-RA
Tank cover	1203861
Trip lever – left-hand OR	84625
Trip lever – right-hand	1213048
Bolt cap accessory pack	1013092

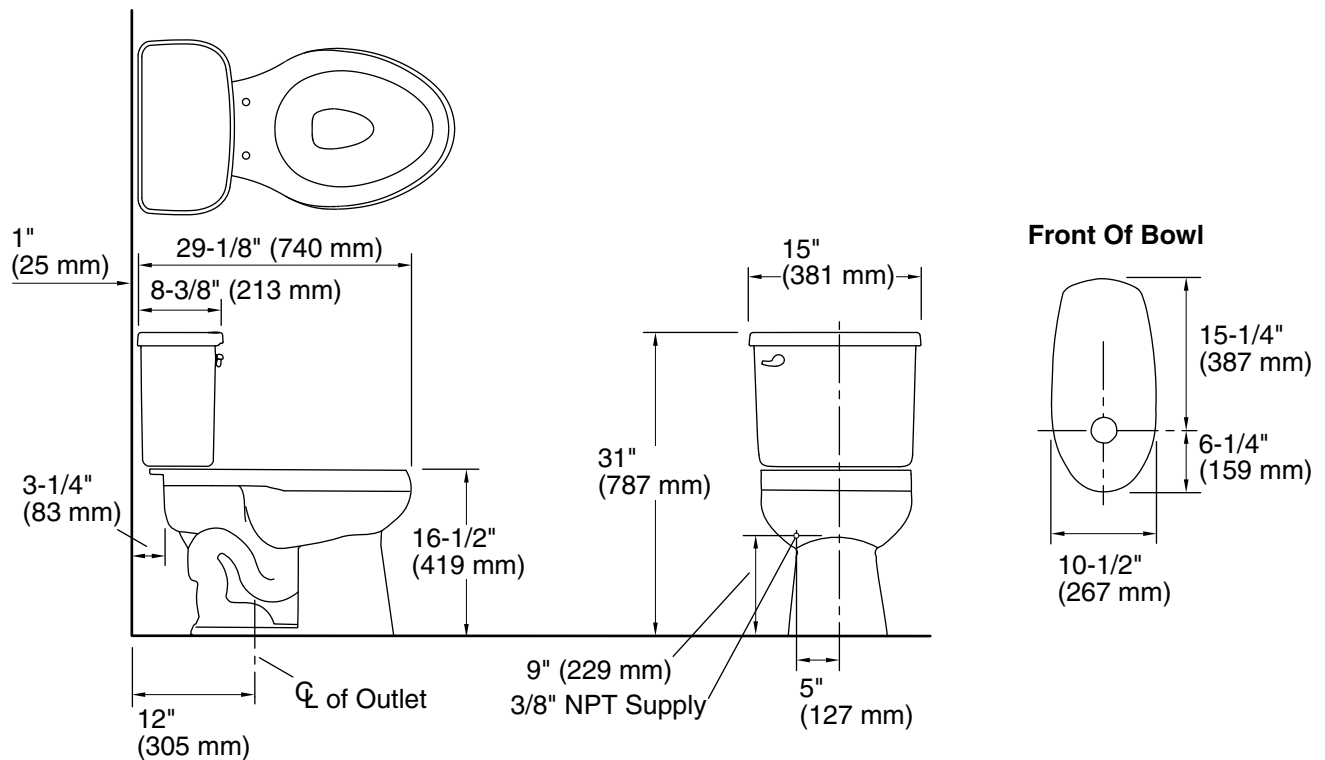
Installation Notes

Install this product according to the installation guide.

Will comply with the Americans with Disabilities Act (**ADA**) when installed per the requirements of the 2010 ADA Standards for Accessible Design, Section 604 Water Closets and Toilet Compartments, of the Act. The Model Plumbing Codes require the installation of elongated open-front toilet seats in public bathrooms.

Will comply with **CSA B651** when installed per Clause 4.3.6 of the standard.

Will comply with **OBC** when installed per Clause 3.8.3.8 and 3.8.3.9.



Product Diagram