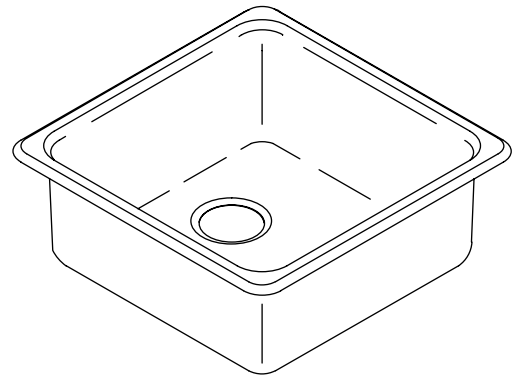


Features

- KOHLER cast iron
- Acid-resistant enamel finish
- Single compartment
- Self-rimming
- Includes installation hardware
- 20-7/8" (53 cm) x 20-7/8" (53 cm) (self-rimming)

SELF-RIMMING OR UNDERCOUNTER KITCHEN SINK K-6587



Codes/Standards Applicable

Specified model meets or exceeds the following:

- ASME A112.19.1M
- IAPMO/UPC
- CSA B45

Colors/Finishes

- 0: White
- Other: Refer to Price Book for additional colors/finishes

Accessories:

- CP: Polished Chrome
- Other: Refer to Price Book for additional colors/finishes

Specified Model

Model	Description	Colors/Finishes	
K-6587	Kitchen sink	<input type="checkbox"/> 0	<input type="checkbox"/> Other _____
Optional Accessories			
K-6516	Bottom basin rack	<input type="checkbox"/> 0	<input type="checkbox"/> Other _____
K-8801	Duostrainer® sink strainer	<input type="checkbox"/> CP	<input type="checkbox"/> Other _____

Product Specification

The kitchen sink shall be made of cast iron with acid-resistant enamel finish. Sink shall be single compartment and shall include installation hardware. The self-rimming sink shall be 20-7/8" (53 cm) in length and 20-7/8" (53 cm) in width. Sink shall be Kohler Model K-6587-_____.

IRON/TONES™

Technical Information

Fixture*:	
Basin area	18" (45.7 cm) x 18" (45.7 cm)
Water depth	9-1/2" (24.1 cm)
Drain hole	3-7/8" (9.8 cm) D.
* Approximate measurements for comparison only.	

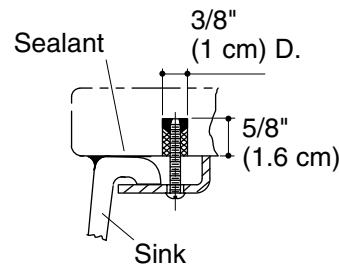
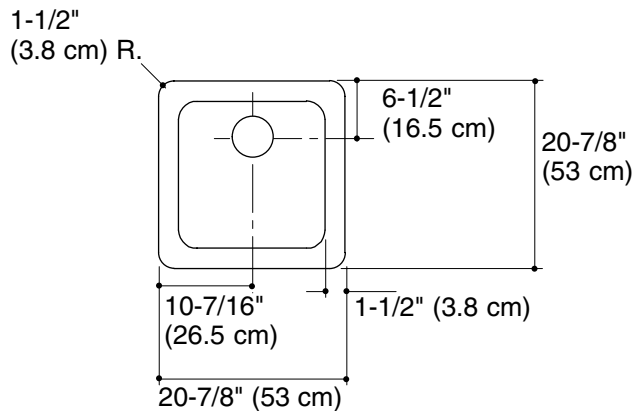
Included components:	
Basin clamp accessory pack	52047
Cut-out template	114335-7

Installation Notes

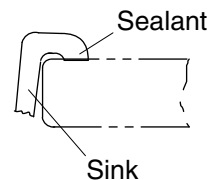
Install this product according to the installation guide.

Supplied basin clamp assemblies require 1" (2.5 cm) minimum countertop thickness. Installer must supply hardware for thinner countertops.

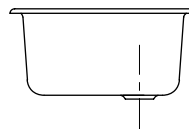
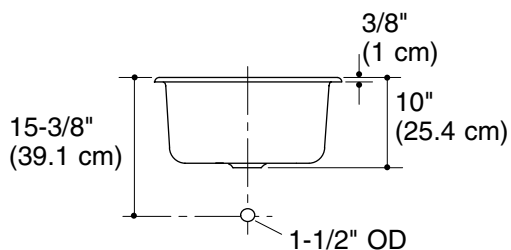
For multiple bowl undercounter installations, a minimum distance of 3-3/8" (8.6 cm) is required between bowls. Countertop supplier to determine required support.



Solid Surface Installation



Self-Rimming Installation



Product Diagram

IRON/TONES™ SELF-RIMMING OR UNDERCOUNTER KITCHEN SINK

Page 2 of 2
114335-4-AD

THE BOLD LOOK
OF **KOHLER**®