

# Central Brass®

The Easy Choice

MANUFACTURING COMPANY

2950 East 55<sup>th</sup> St. Cleveland, Ohio 44127

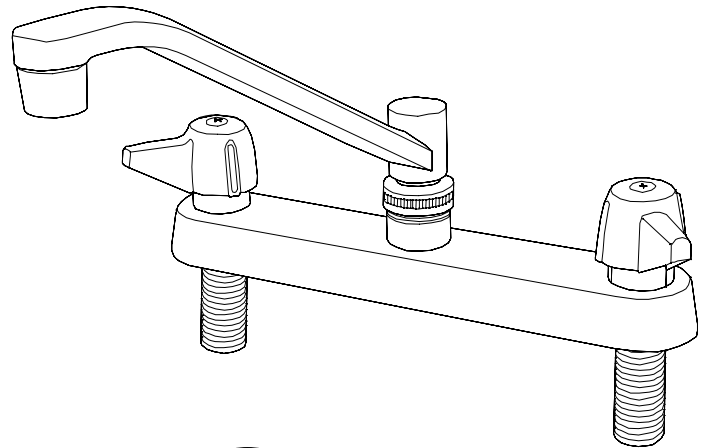
Phone: (216) 883-0220 Fax: (216) 883-0875

www.CentralBrass.com

**MODEL NOS.**  
**0122-A 0122-A-Q 80122-A**  
**KITCHEN TOPMOUNT**

O-Ring Compression    1/4-Turn Compression    Ceramic Units  
**0122-A**                      **0122-A-Q**                      **80122-A**

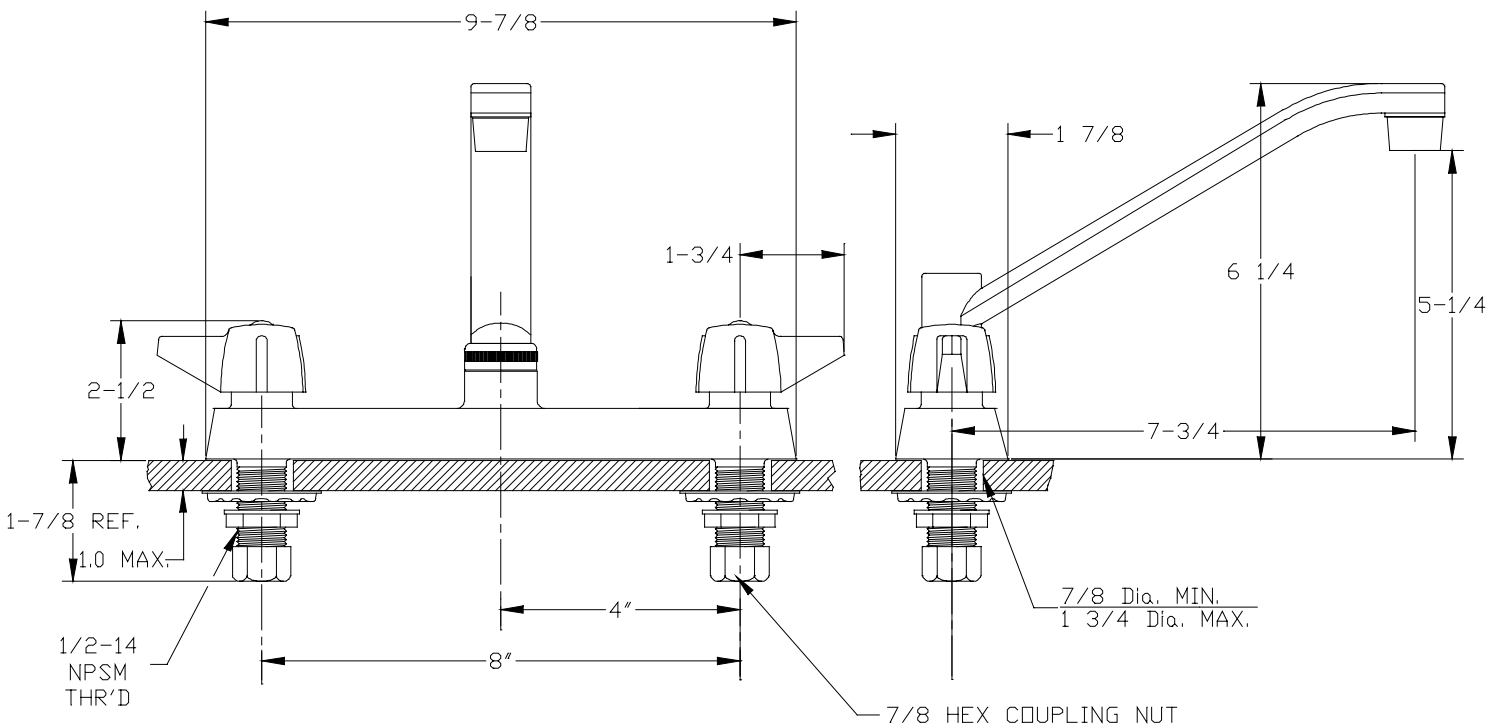
The 8-inch center topmounted kitchen faucet has a cast brass body that is copper, nickel and chrome plated. The stems are all brass, with a double O-Ring seal and rubber seat washer (for compression stems) or ceramic sealing discs (for ceramic units). The canopy handles are zinc die cast with a chrome plated finish. The 8-inch swivel "D" spout is brass with a chrome plated finish and is fitted with a water saving aerator that limits the flow rate. The O-Rings and seals are rubber.



Flow Rate: 2.2 GPM @ 60 psi  
ADA Compliant and Meets ASME A112.18.1M  
ANSI/NSF 61/Section 9 Certified



## Installation Drawing



# Central Brass®

The Easy Choice

MANUFACTURING COMPANY

2950 East 55<sup>th</sup> St. Cleveland, Ohio 44127

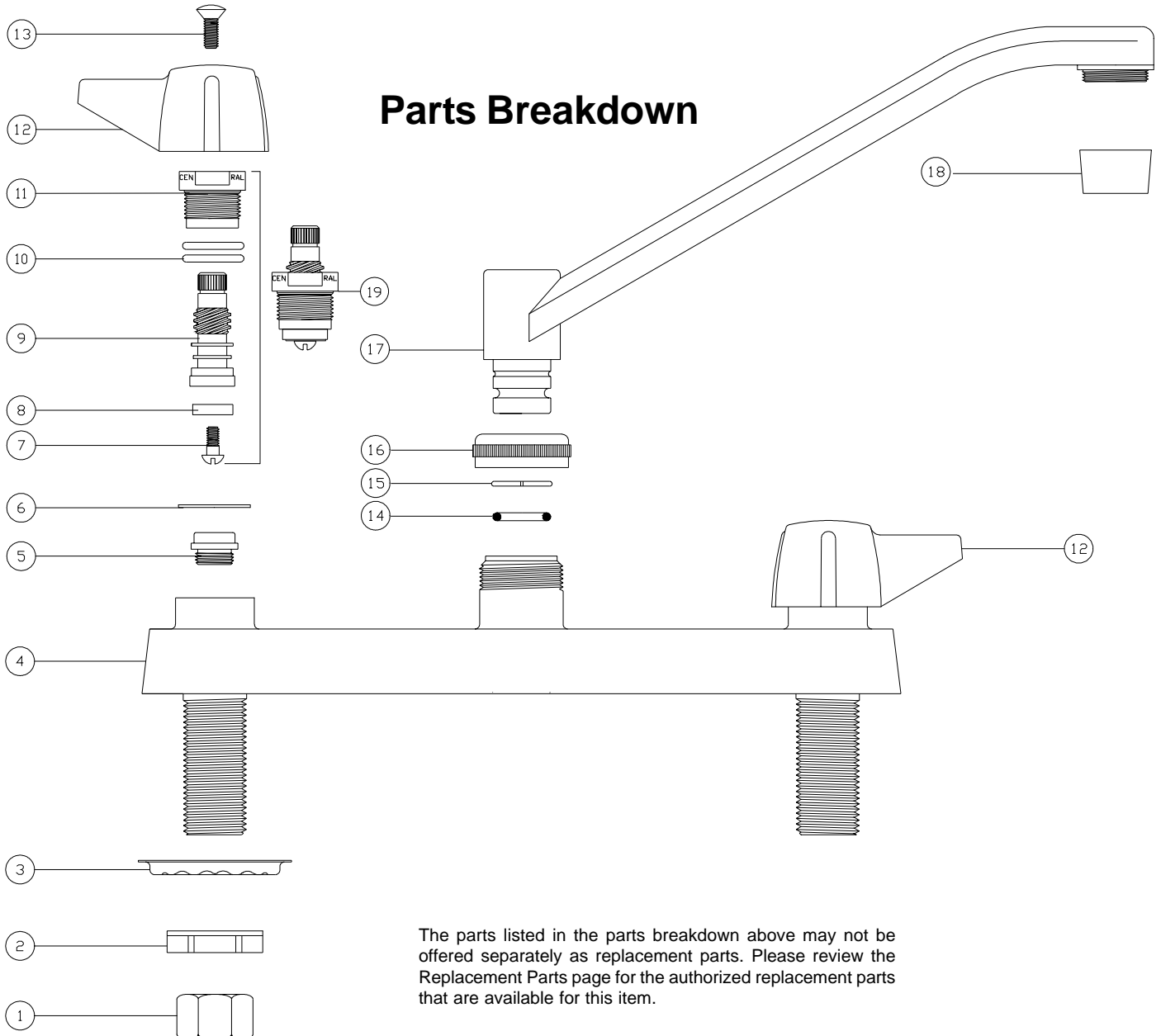
Phone: (216) 883-0220 Fax: (216) 883-0875

www.CentralBrass.com

**MODEL NOS.**  
**0122-A 0122-A-Q 80122-A**  
**KITCHEN TOPMOUNT**

#	Part#	Description
1	4015-BAR	Brass Coupling Nut
2	7133-AZ	Zinc Dichromate Locknut
3	54	Steel Crowfoot Washer
4	1947	Brass Faucet Body
5	263-BC	Bronze Seat
6	1028-Y	Nylon Gasket
7	104	Brass Seat Washer Screw
8	901-WN	Seat Washer
9	453-FL	Brass Left Thread O-Ring Stem
9	453-FR	Brass Right Thread O-Ring Stem
10	1038-453	O-Ring

#	Part#	Description
11	453-EWC	Brass Left Thread O-Ring Bonnet
11	453-EWH	Brass Right Thread O-Ring Bonnet
12	523-C	Handle Indexed "C"
12	523-H	Handle Indexed "H"
13	107-F	Brass Phillips Head Screw
14	1038-KN	O-Ring
15	166-FN	Stainless Steel Snap Ring
16	PF-782-D	Brass Spout Nut
17	365-D	Brass Swivel "D" Spout
18	30-M	Female Aerator
19	SU-453-EL	Left Thread O-Ring Stem Assembly
19	SU-453-ER	Right Thread O-Ring Stem Assembly



The parts listed in the parts breakdown above may not be offered separately as replacement parts. Please review the Replacement Parts page for the authorized replacement parts that are available for this item.

# Central Brass®

The Easy Choice

MANUFACTURING COMPANY

2950 East 55<sup>th</sup> St. Cleveland, Ohio 44127

Phone: (216) 883-0220 Fax: (216) 883-0875

www.CentralBrass.com

**MODEL NOS.**  
**0122-A 0122-A-Q 80122-A**  
**KITCHEN TOPMOUNT**

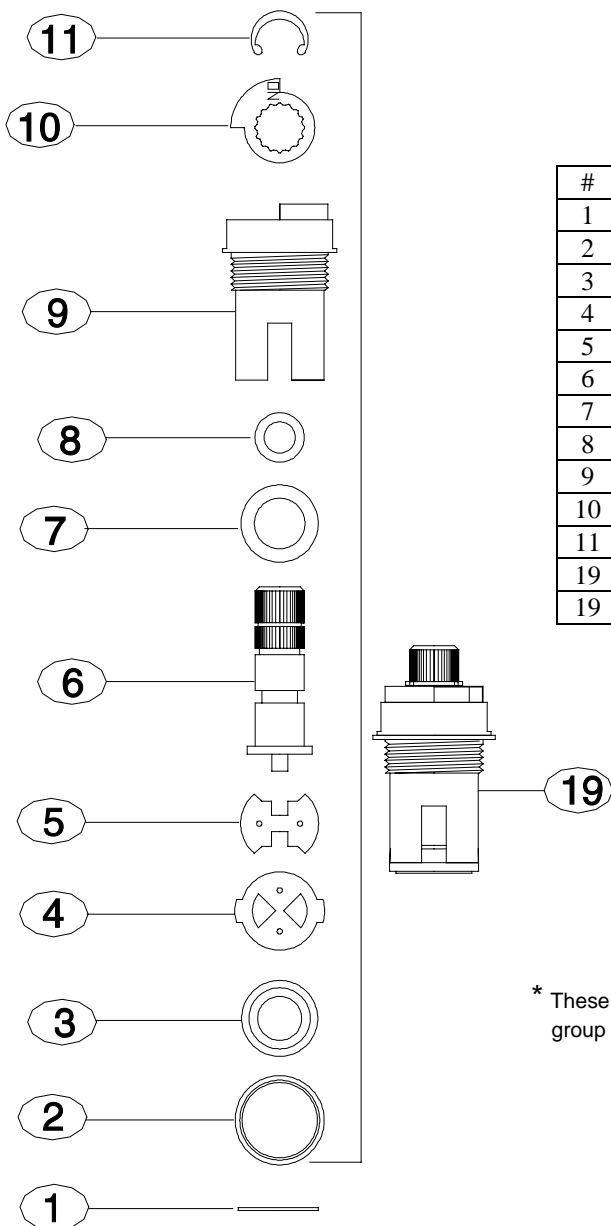
## 80122-A

**Ceramic Stem Parts**  
**replaces compression stem**

**K-453-C**

**K-453-H**

### REPLACEMENT PARTS



#	Part#	Description
1	1028-Y	Nylon Gasket
2	184-A	Celcon Retainer
3	183-A	Rubber Seal
4	182	Ceramic Disc – Lower
5	181	Ceramic Disc – Upper
6	352-S	Brass Stem
7	180	Celcon Washer
8	1038-E14	O-Ring
9	352-B	Brass Bonnet
10	352-SS	Brass Stop
11	352-CR	Crescent Ring
19	Su-352-L	Left Thread Stem Assembly (for cold side)
19	SU-352-R	Right Thread Stem Assembly (for hot side)

\* These items are not offered individually and must be purchased as a group or unit. Please contact Central Brass for more information.

- If faucet has round handles (G-398) or (70 or 80 suffixes) , use two SU-352-L Hot stem assemblies
- If faucet has lever handles, use one Hot and one Cold stem assemblies