

Central Brass

COMPANY

Brecksville, Ohio 44141

Phone: (216) 883-0220 Fax: (440) 526-5745

www.CentralBrass.com

MODEL NO. 0094-A
BAR/LAUNDRY FAUCET

O-Ring Compression 1/4-Turn Compression

0094-A

0094-A-Q

The 4-inch center shell topmounted bar/laundry faucet has a cast brass body and zinc shell that are copper, nickel and chrome plated. The compression stems are all brass with a double O-Ring seal and rubber seat washer. The canopy handles are zinc die cast with a chrome plated finish. The 6-inch swivel spout is brass with a chrome plated finish and is fitted with a water saving aerator that limits the flow rate. The O-Rings and seals are rubber.



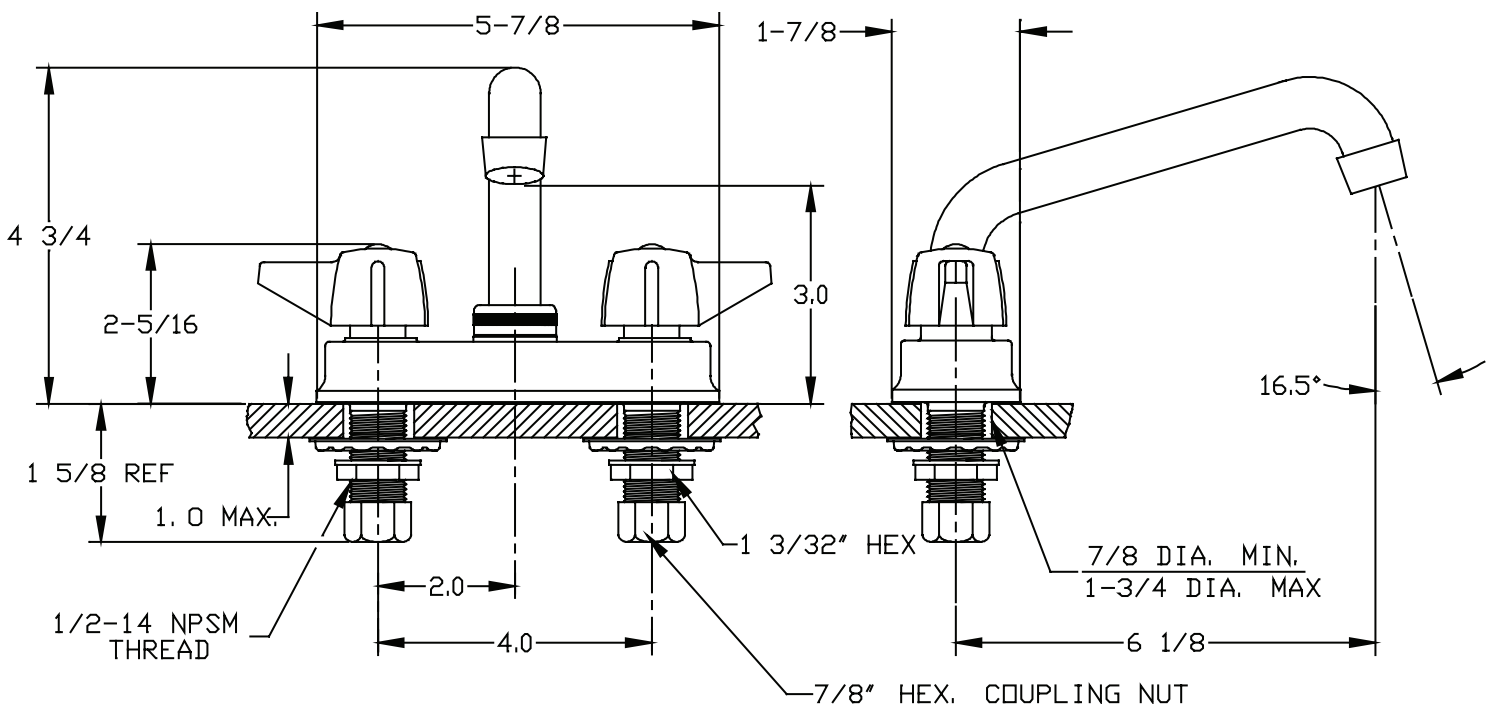
Flow Rate: 2.0 GPM @ 60 psi

ADA Compliant and Meets ASME A112.18.1M

Certified by IAPMO R&T to NSF/ANSI 61



Installation Drawing



Central Brass

COMPANY

Brecksville, Ohio 44141

Phone: (216) 883-0220 Fax: (440) 526-5745

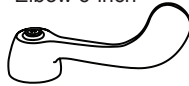
www.CentralBrass.com

MODEL NO. 0094-A
BAR/LAUNDRY FAUCET

Suffix Options & Accessories

Handle variations available

ELS - Suffix
Wrist 4-inch
EL - Suffix
Elbow 6-inch



G-4147 (4-inch)
G-4149 (6-inch)

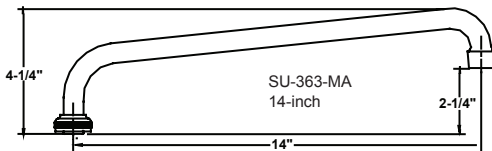


Faucets with lever, wrist or elbow handles with compression or ceramic stem cartridges are ADA compliant.

Spout variations available

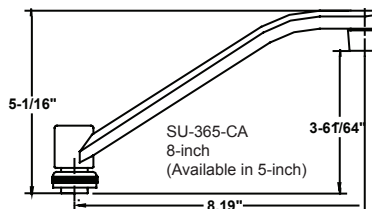
- A1 - Suffix
8-inch Brass Tube Spout
- A2 - Suffix
10-inch Brass Tube Spout
- A3 - Suffix
12-inch Brass Tube Spout
- A4 - Suffix
14-inch Brass Tube Spout

H - Suffix replaces A for hose end

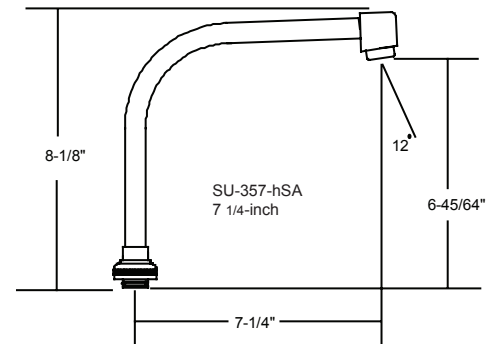


- A6 - Suffix
8-inch Brass D-Spout

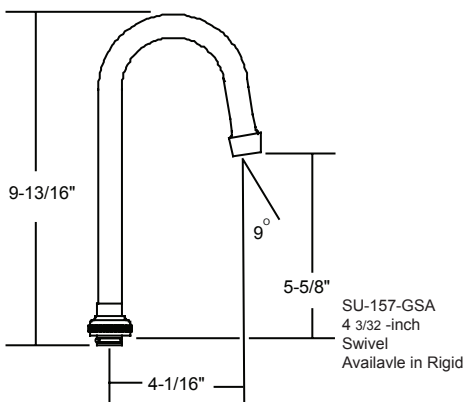
H - Suffix replaces A for hose end



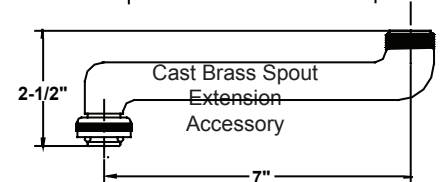
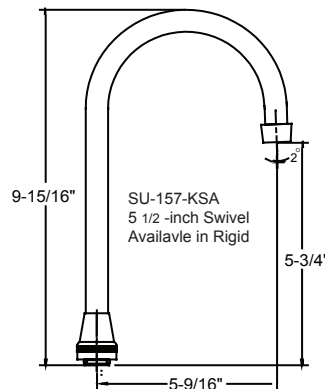
- A8 - Suffix
7 1/4-inch High-Rise Swivel Spout



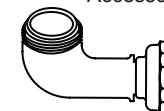
- GSA - Suffix
4 3/32 Swivel Gooseneck Spout
- GRA - Suffix
4 3/32 Rigid Gooseneck Spout



- KSA - Suffix
5 1/2 Swivel Gooseneck Spout
- KRA - Suffix
5 1/2 Rigid Gooseneck Spout



Wall Mount
Spout Adaptor
Accessory



G-1748-88W

Central Brass

COMPANY

Brecksville, Ohio 44141

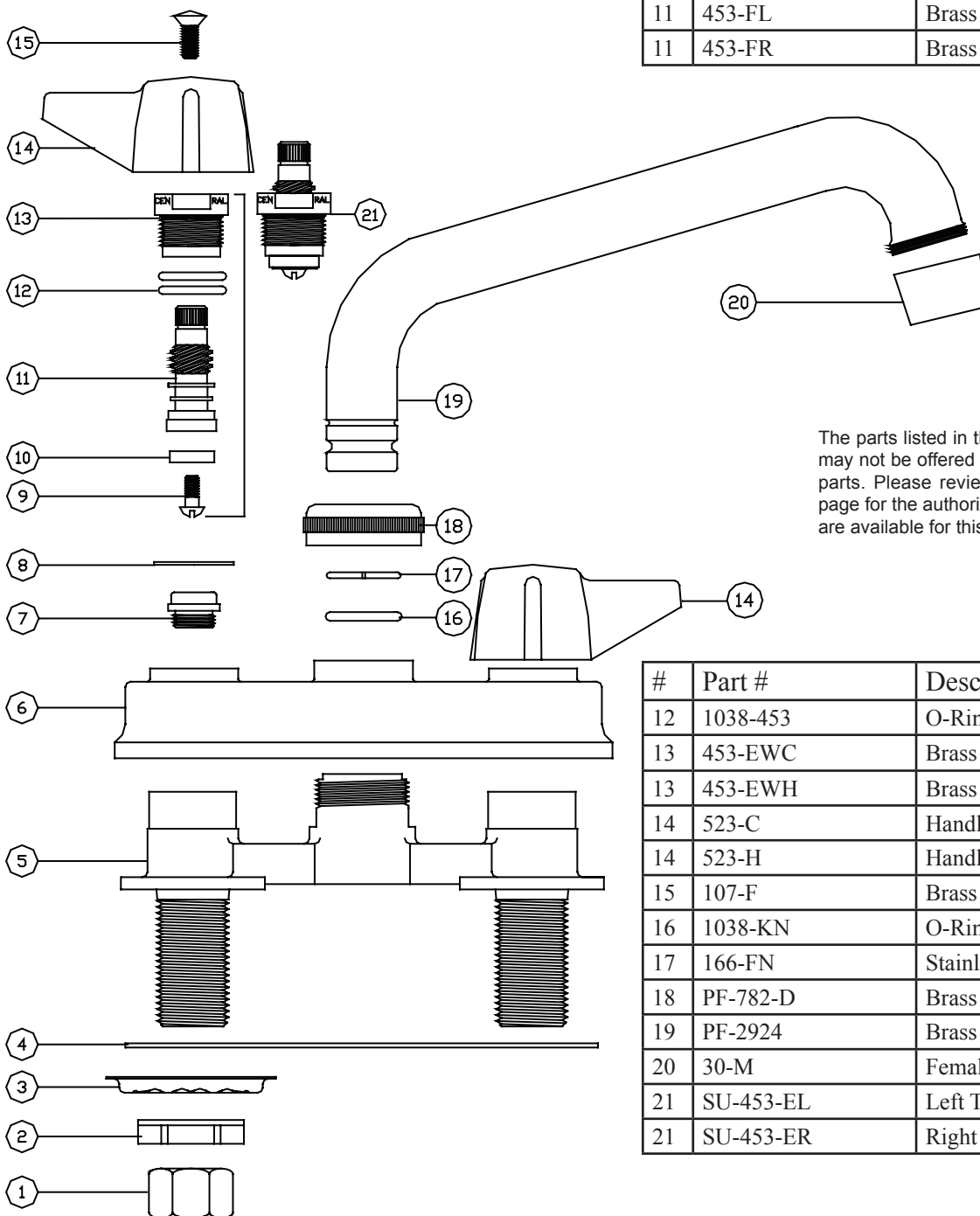
Phone: (216) 883-0220 Fax: (440) 526-5745

www.CentralBrass.com

MODEL NO. 0094-A BAR/LAUNDRY FAUCET

#	Part #	Description
1	4015-BAR	Brass Coupling Nut
2	7133-AZ	Zinc Dichromate Locknut
3	54	Steel Crowfoot Washer
4	392-G	Gasket
5	2145	Brass Faucet Body
6	PF-392	Brass Cover Plate
7	263-BC	Bronze Seat
8	1028-Y	Nylon Gasket
9	104	Brass Seat Washer Screw
10	901-WNN	Seat Washer
11	453-FL	Brass Left Thread O-Ring Stem
11	453-FR	Brass Right Thread O-Ring Stem

Parts Breakdown



The parts listed in the parts breakdown above may not be offered separately as replacement parts. Please review the Replacement Parts page for the authorized replacement parts that are available for this item.

#	Part #	Description
12	1038-453	O-Ring
13	453-EWC	Brass Left Thread O-Ring Bonnet
13	453-EWH	Brass Right Thread O-Ring Bonnet
14	523-C	Handle Indexed "C"
14	523-H	Handle Indexed "H"
15	107-F	Brass Phillips Head Screw
16	1038-KN	O-Ring
17	166-FN	Stainless Steel Snap Ring
18	PF-782-D	Brass Spout Nut
19	PF-2924	Brass Swivel Spout
20	30-M	Female Aerator
21	SU-453-EL	Left Thread O-Ring Stem Assembly
21	SU-453-ER	Right Thread O-Ring Stem Assembly