

# Central Brass

COMPANY

Brecksville, Ohio 44141

Phone: (216) 883-0220 Fax: (440) 526-5745

www.CentralBrass.com

MODEL NO. 0048-UA3

SINK FIXTURE

ADA COMPLIANT

The wall mounted sink fitting is designed with a solid cast brass body with replaceable seats. The flanges are all brass and have 1/2-inch female pipe connections. The inlet supply location is adjustable by rotating the flange to obtain a 1/4-inch center variation. The 12-inch spout has a water saving aerator that limits the flow. The stems are all brass with a double O-Ring seal and rubber seat washer. The canopy handles are zinc die cast with a chrome plated finish. The faucet and flanges are polished and copper, nickel, and chrome plated. The soap dish and post are brass with a chrome plated finish.



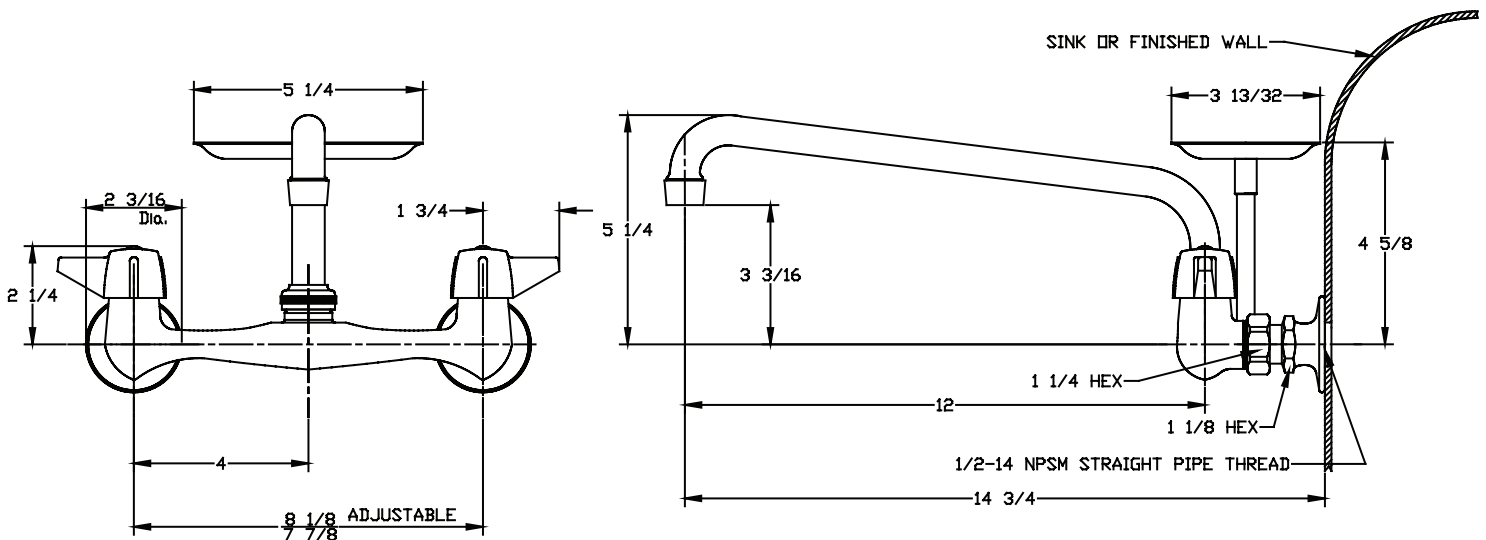
Flow Rate: 2.0 GPM @ 60 psi

ADA Compliant and Meets ASME A112.18.1M

Certified by IAPMO R&T to NSF/ANSI 61



## Installation Drawing



# Central Brass

COMPANY

Brecksville, Ohio 44141

Phone: (216) 883-0220 Fax: (440) 526-5745

www.CentralBrass.com

**MODEL NO. 0048-UA3**  
**SINK FIXTURE**  
**ADA COMPLIANT**

## Parts Breakdown

#	Part #	Description
1	2831-CP	Brass Faucet Body
2	263-BC	Bronze Seat
3	1028-Y	Nylon Gasket
4	104	Brass Seat Washer Screw
5	901-WNN	Seat Washer
6	453-FL	Brass Left Thread O-Ring Stem
6	453-FL	Brass Right Thread O-Ring Stem
7	1038-453	O-Ring

#	Part #	Description
8	453-EWC	Brass Left Thread O-Ring Bonnet
8	453-EWH	Brass Right Thread O-Ring Bonnet
9	523-C	Handle Indexed "C"
9	523-H	Handle Indexed "H"
10	107-F	Brass Phillips Head Screw
11	1038-KN	O-Ring
12	166-FN	Stainless Steel Snap Ring
13	PF-782-DES	Brass Spout Nut
14	PF-363-LA	Brass Swivel Spout
15	30-M	Femal Aerator
16	2807	Brass Offset Flange
17	PF-2843-49	Brass Hex Spout Nut
18	PF-256-L	Brass Spud
19	940-TRN	Washer
20	SU-453-EL	Left Thread O-Ring Stem Assembly
20	SU-453-ER	Right Thread O-Ring Stem Assembly
21	SU-2807	Brass Flange Assembly
22	PF-285-F	Brass Soap Dish Post
23	SU-259-A	Brass Soap Dish

